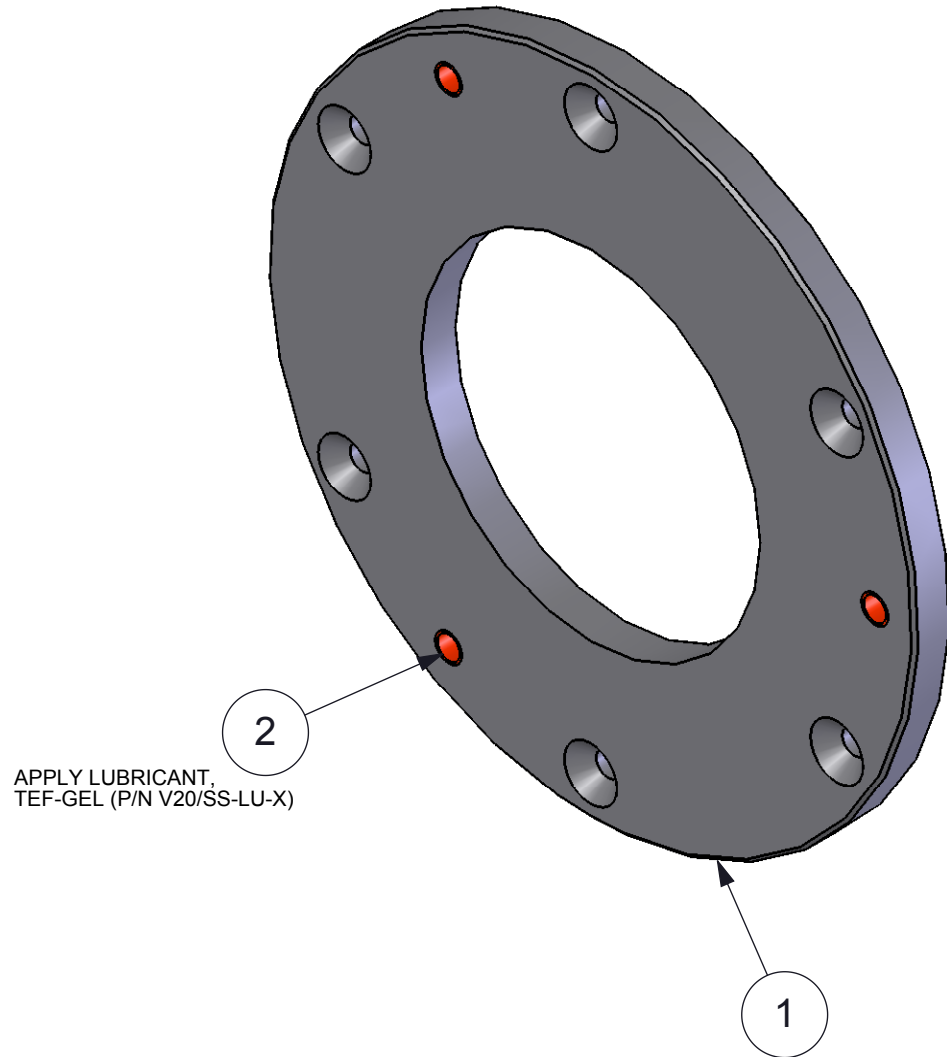
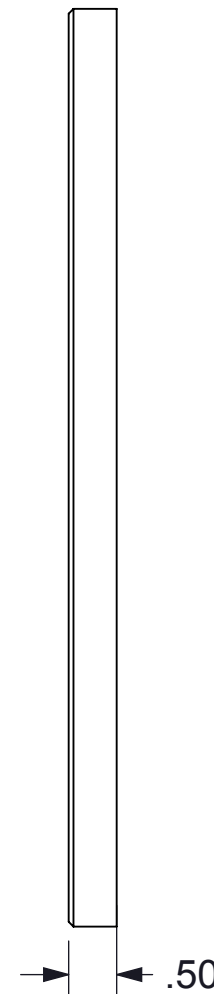
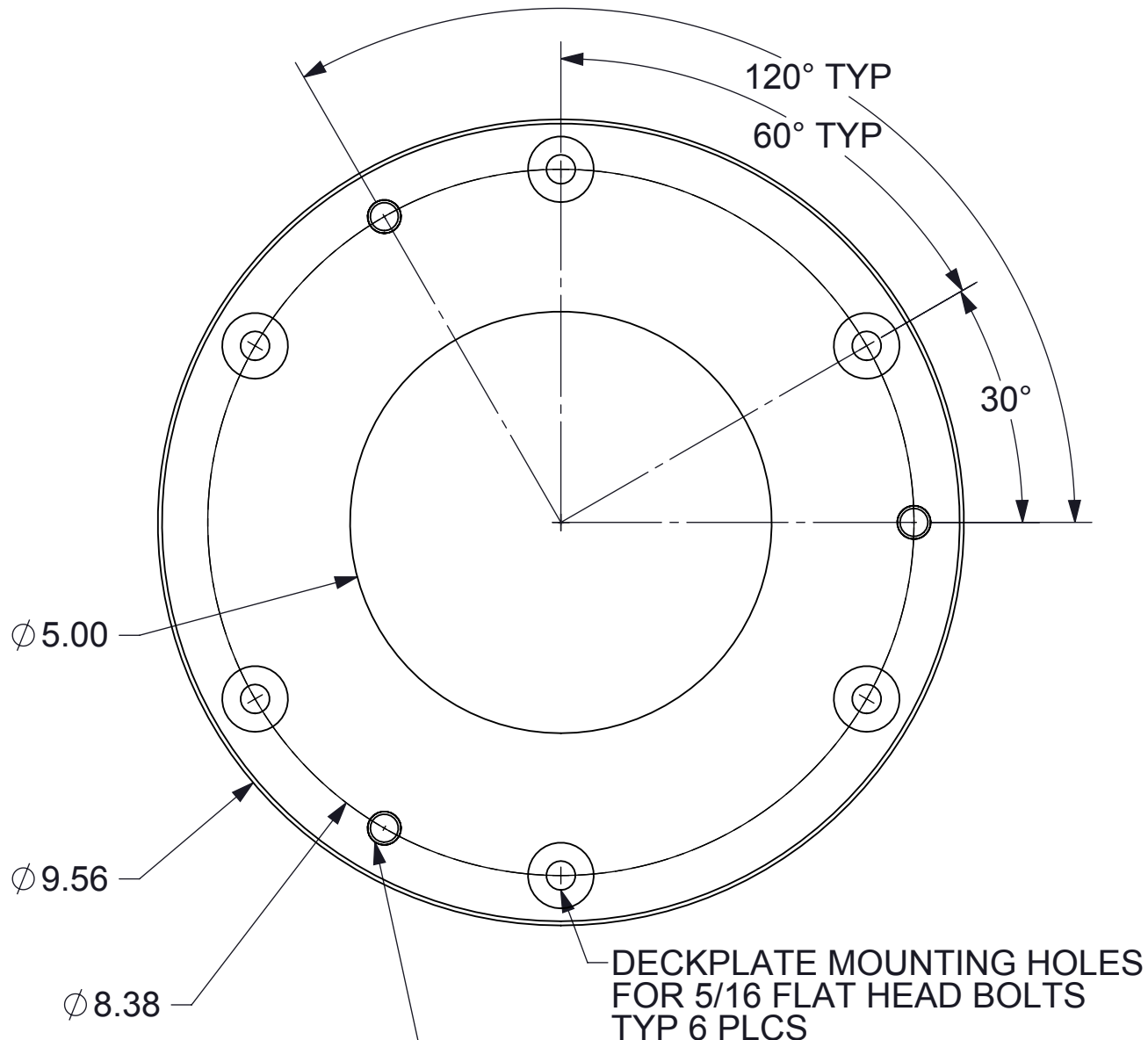


All information contained in this document is the intellectual property of STIDD Systems, Inc. and shall not be released, performed, displayed, duplicated, used, or disclosed, in whole or in part, within or outside the receiving party for any purpose other than to evaluate a document from STIDD Systems, Inc. No rights are conveyed to the receiving party or any others to use any intellectual property contained in this document in any manner. All US Government recipients shall protect all information in this document as prescribed by DFARS 252.227-7016. The information subject to this restriction is contained in every page of this document.
WARNING: This document may contain technical data subject to the United States Code of Federal Regulations Chapter 22, International Traffic in Arms Regulations (ITAR). The information herein shall not be exported or made available to any party other than the designated recipient without the express written permission of STIDD Systems, Inc. Violations of these export laws are subject to severe criminal penalties.

REVISIONS					
ZONE	REV.	CLASS	DESCRIPTION	DATE	APPROVED
N/A	-	N/A	INITIAL RELEASE	8/17/2006	A.SCHORDINE
N/A	A	3	UPDATED DOCUMENTATION	10/19/2012	A.SCHORDINE



- NOTES:**
1. MOUNT DECKPLATE WITH A 5/16-18 HELICOIL HOLE FACING FORWARD
 2. INSTALL ISOLATION GASKET (PROVIDED WITH YOUR CHAIR) BETWEEN DECKPLATE AND PEDESTAL BASE
 3. USE TEF-GEL ON ALL INSTALLATION HARDWARE

ITEM	PART NUMBER	Description	QTY.
1	570-3-140	9", 3 HOLE, DECK MOUNTING PLATE	1
2	V05/3585-6CN-0375	3/8-16 X .375, LOCKING STI, SS	3

ORIGINATOR A.SCHORDINE	DATE 8/17/2006
APPROVED R.DIGREGORIO	DATE 8/17/2006
FABRICATION INSTRUCTIONS UNLESS OTHERWISE SPECIFIED:	
<ul style="list-style-type: none"> · INTERPRET DWG IAW ANSI Y14.5M · DIMENSIONS ARE IN INCHES · BREAK ALL SHARP EDGES · DRAWING TOLERANCES ARE: 	
* ANGLES : 1°	THIRD ANGLE PROJECTION
* 0.XX : 0.01	
* 0.XXX : 0.005	
MATERIAL 6061-T6 ALUMINUM	SIZE B
WEIGHT (lbs) 2.48	SURFACE AREA (in ²) 131.92

STIDD Systems, Inc.
 220 CARPENTER STREET
 GREENPORT, NY 11944
 USA · (631) 477-2400

TITLE 9" DECKPLATE ASSEMBLY			
SIZE B	CAGE CODE 0W5E3	DWG No. 570-1-140	REV A
DO NOT SCALE DRAWING, WORK FROM DIMENSIONS		SCALE: 1:2	SHEET 1 OF 1