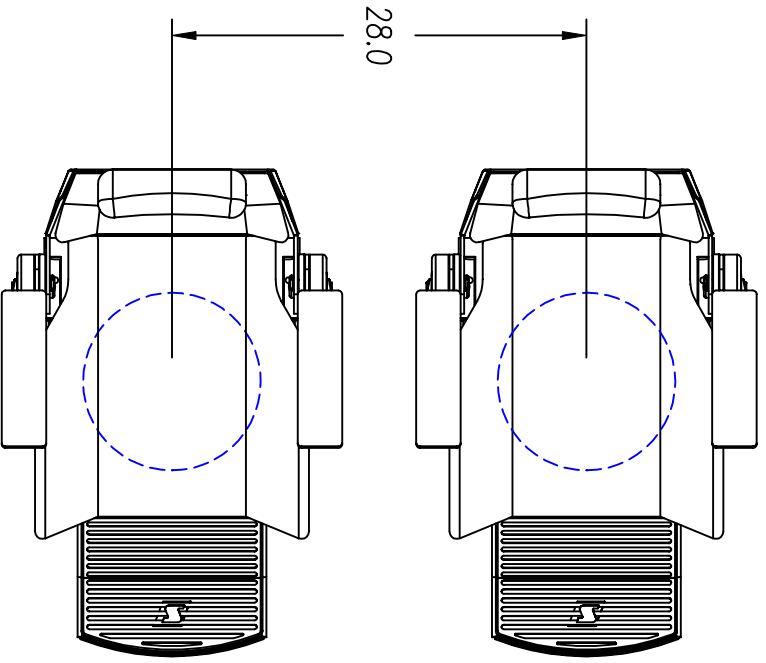
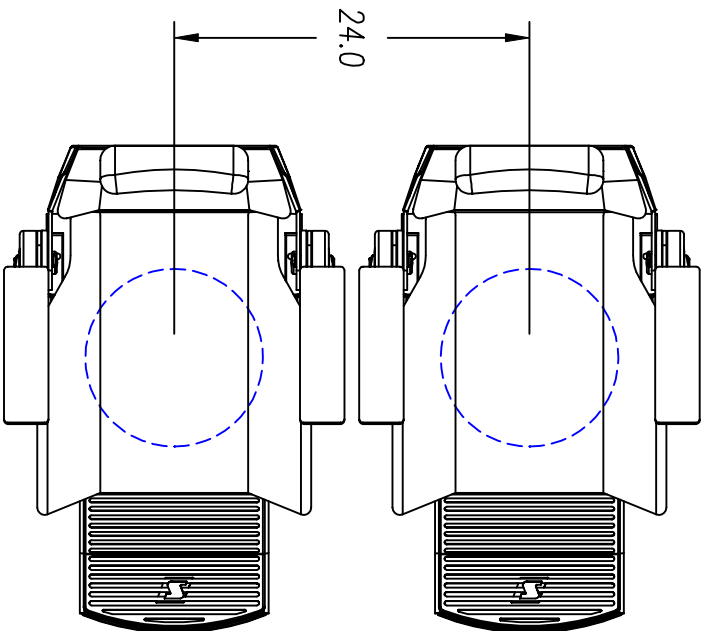


Nominal Layout
for Full Range of Motion



Minimal Layout
for Full Range of Motion



PROPRIETARY
This document and all information contained, is the property of STDD Systems, Inc. and shall not be copied, reproduced or disclosed without the expressed written permission of STDD Systems, Inc.



500N Slimline Layout
500N Series Slimline "Admiral"

PART NUMBER:
500N Series
DATE:
4-26-02

REV.
0
SCALE:
n/a

DRAWN BY:
R. Ditzinger
CHECKED BY:
W. Segani

TOLERANCES
* EXCEPT AS NOTED *

DECIMAL:	ANGULAR:
+ .1	+ 1 DEG.
- .01	- 1 DEG.
+ .005	
- .015	