

All information contained in this document is property of STIDD Systems, Inc. and shall not be released, performed, displayed, duplicated, used, or disclosed, in whole or in part, for any purpose other than to evaluate a product of STIDD Systems, Inc. No rights are conveyed to the recipient or any other party to use any intellectual property contained in this document in any manner. All recipients shall protect all information in this document as prescribed by DFARS 252.227-7016. The information subject to this restriction is contained in every page of this document.

REVISIONS				
ZONE	REV.	DESCRIPTION	DATE	APPROVED
-	-	INITIAL RELEASE	5/12/2006	A BONGCYK

500NH-V5 TECHNICAL SPECIFICATIONS:

MOUNTING INFORMATION

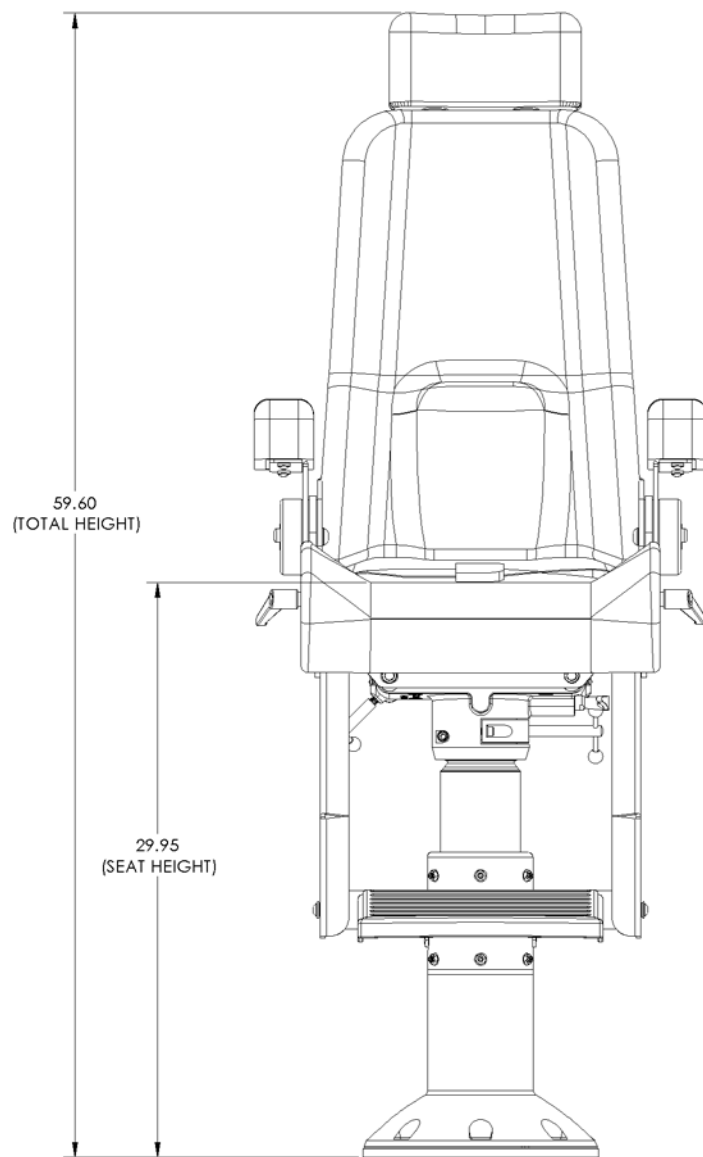
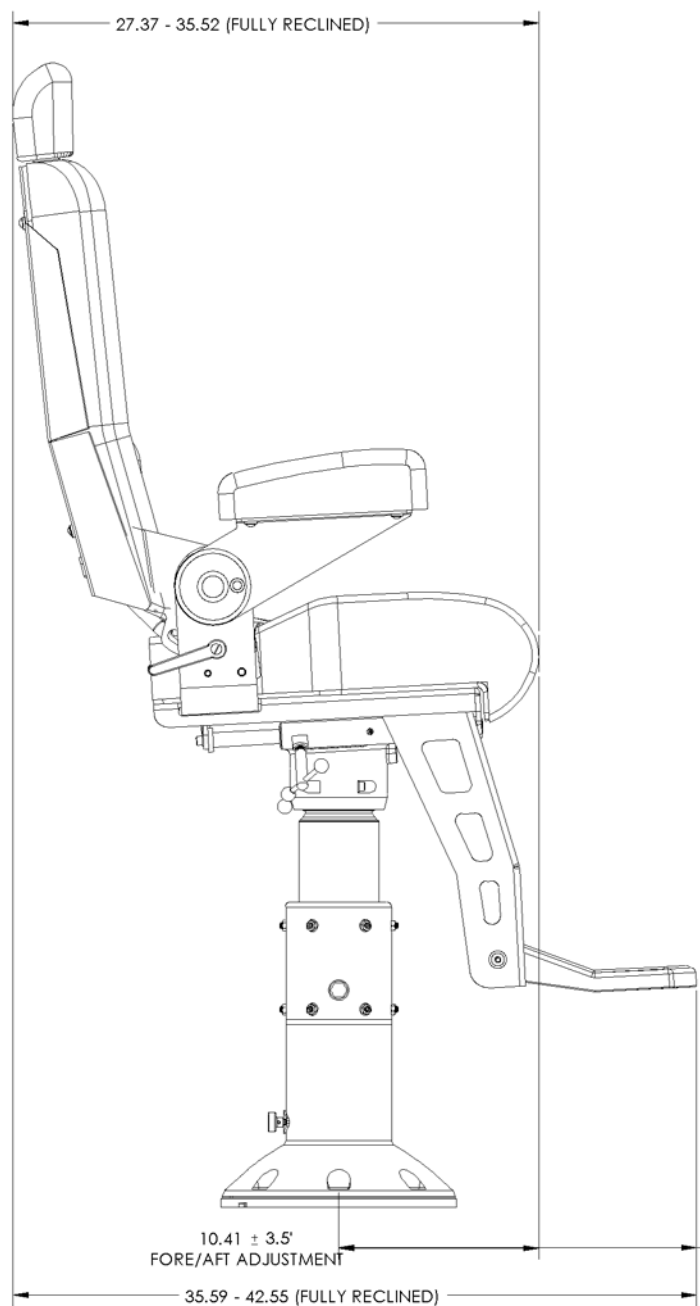
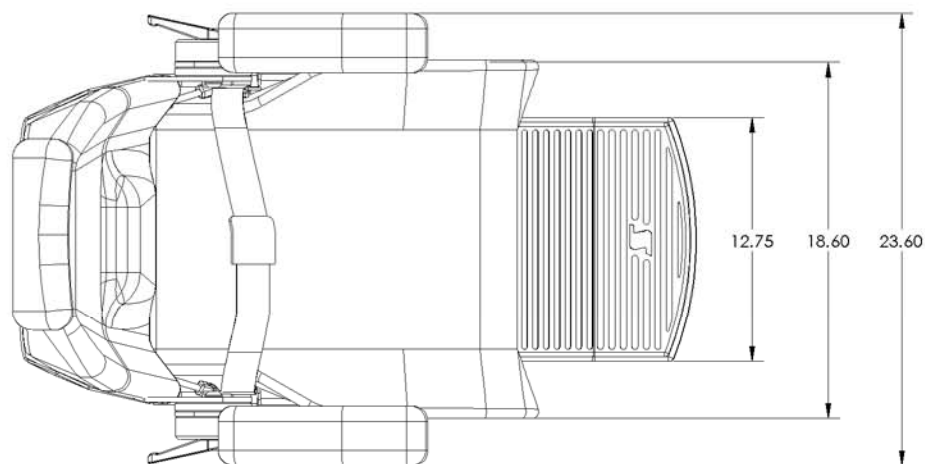
- DECK PLATE MOUNTING DIMENSIONS:
- DECK PLATE TO VESSEL: EIGHT 3/8" DIA. BOLTS ON 11" DIA BOLT CIRCLE
- DECK PLATE TO PEDESTAL: EIGHT 5/16-18 FLAT, SOCKET HEAD BOLTS ON 11" BOLT CIRCLE

SHOCK MITIGATION SYSTEM

- STROKE: 4"
- NITROGEN DIAPHRAGM ALUMINUM COIL-OVER SHOCK ABSORBER
- COLD-WOUND PRE-HEAT TREATED SAE 9254 CHROME SILICON COIL SPRING
- 10-POSITION REBOUND DAMPING ADJUSTMENT

RATED LOADING

- PASSENGER WEIGHT: 250LB
- MAXIMUM G-FORCE SHOCK LOAD*: 7G
- (*VERTICAL SHOCK, DURATION APPROX 1.5S, W/ 250LB PASSENGER)



18.63 ± 3.5" FORE/AFT ADJUSTMENT



NAME	R. KOCH	DATE	5/12/2006
UNLESS OTHERWISE SPECIFIED:			
· INTERPRET DWG IAW ANSI Y14.5M			
· DIMENSIONS ARE IN INCHES			
· BREAK ALL SHARP EDGES			
· DRAWING TOLERANCES ARE:			
* ANGLES : 1°			
* 0.XX : 0.01			
* 0.XXX : 0.005			
MATERIAL	N/A	SIZE	D
WEIGHT (lbs)	99.600	CAGE CODE	0W5E3



STIDD SYSTEMS INC.
220 CARPENTER STREET
GREENPORT, NY 11944
USA · (631) 477-2400

TITLE
500N HIGHBACK WITH V5 FIXED HEIGHT PEDESTAL

DWG No.	500NH-V5	REV	-
SCALE:	1:5	SHEET 1 OF 1	

DO NOT SCALE DRAWING
WORK FROM DIMENSIONS

D

C

B

A