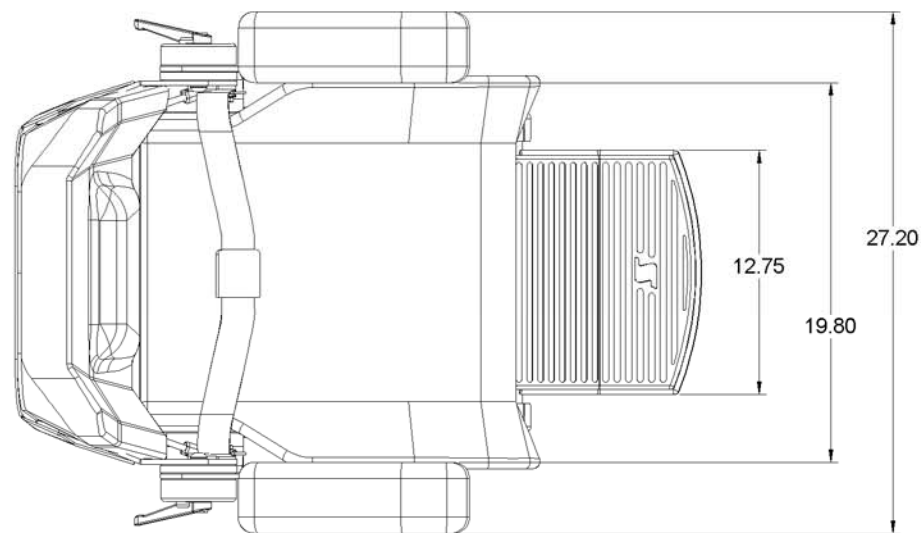


All information contained in this document is property of STIDD Systems, Inc. and shall not be released, performed, displayed, duplicated, used, or disclosed, in whole or in part, for any purpose other than to evaluate a product of STIDD Systems, Inc. No rights are conveyed to the recipient or any other party to use any intellectual property contained in this document in any manner. All recipients shall protect all information in this document as prescribed by DFARS 252.227-7016. The information subject to this restriction is contained in every page of this document.

REVISIONS				
ZONE	REV.	DESCRIPTION	DATE	APPROVED
	-	INITIAL RELEASE	1/13/2006	R. KOCH



500-200-V5 TECHNICAL SPECIFICATIONS:

MOUNTING INFORMATION

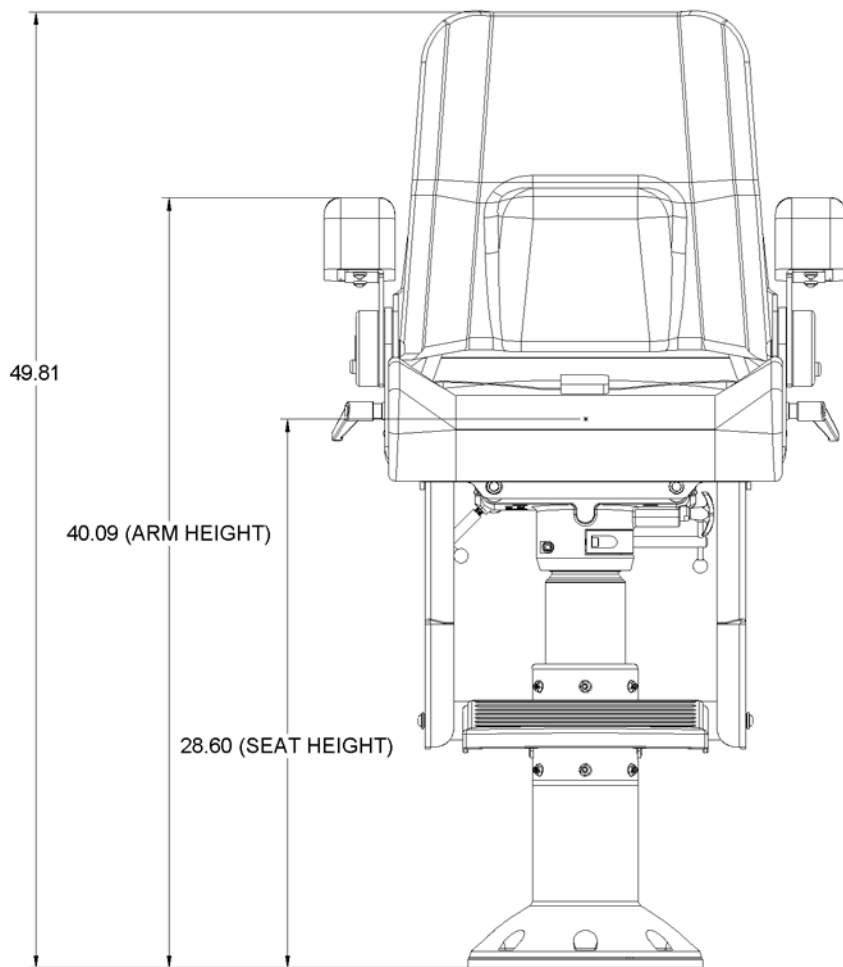
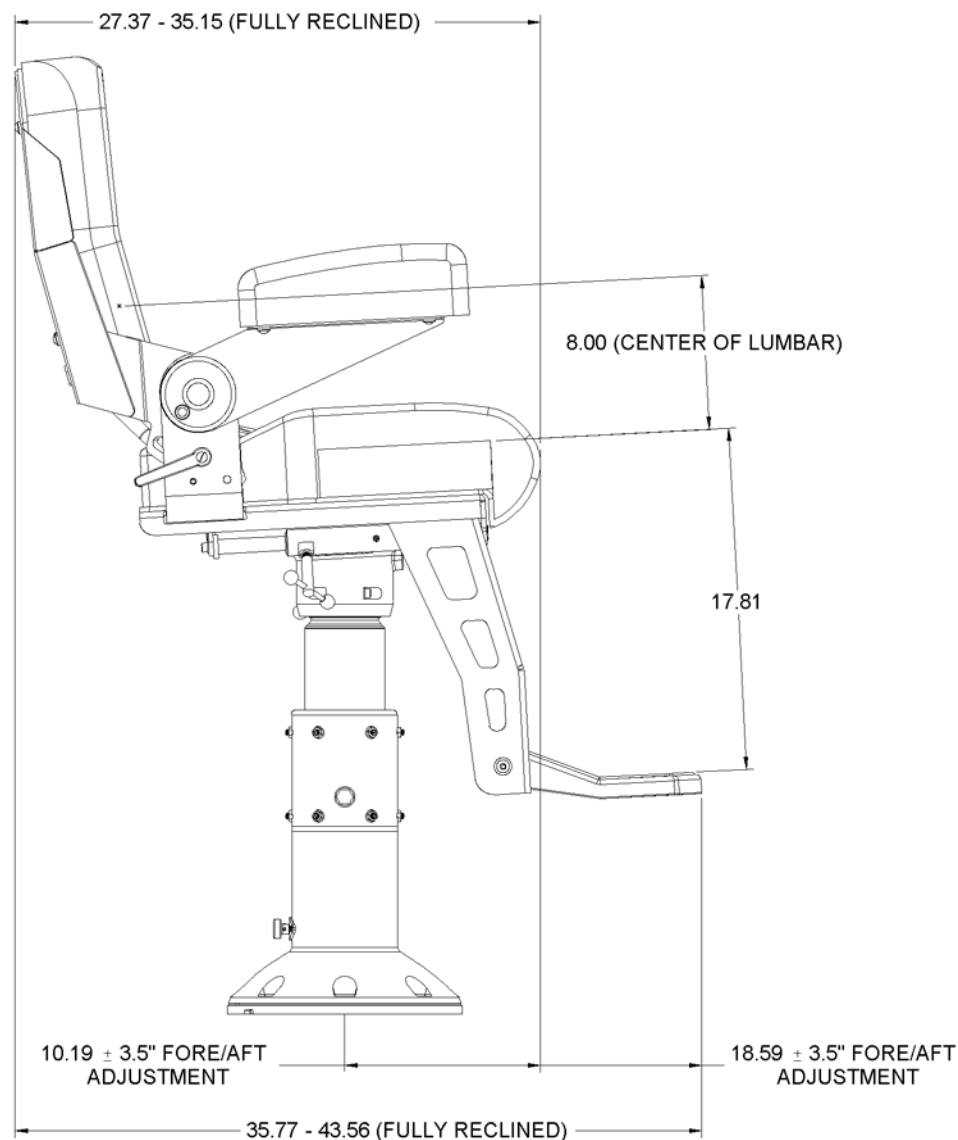
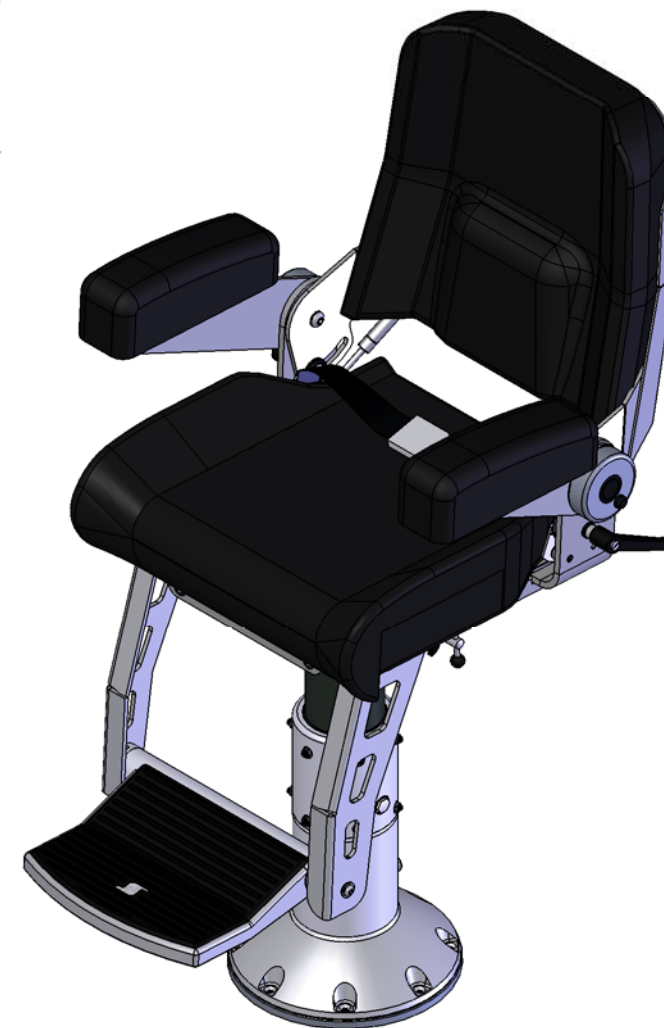
- DECK PLATE MOUNTING DIMENSIONS:
- DECK PLATE TO VESSEL: EIGHT 3/8" DIA. BOLTS ON 11" DIA BOLT CIRCLE
- DECK PLATE TO PEDESTAL: EIGHT 5/16-18 FLAT, SOCKET HEAD BOLTS ON 11" BOLT CIRCLE

SHOCK MITIGATION SYSTEM

- STROKE: 4"
- NITROGEN DIAPHRAGM ALUMINUM COIL-OVER SHOCK ABSORBER
- COLD-WOUND PRE-HEAT TREATED SAE 9254 CHROME SILICON SOIL SPRING
- 10-POSITION REBOUND DAMPING ADJUSTMENT

RATED LOADING

- PASSENGER WEIGHT: 250LB
- MAXIMUM G-FORCE SHOCK LOAD*: 7G
- (*VERTICAL SHOCK, DURATION APPROX 1.5S, W/ 250LB PASSENGER)



NAME	R. KOCH	DATE	2/3/2006
UNLESS OTHERWISE SPECIFIED:			
• INTERPRET DWG IAW ANSI Y14.5M			
• DIMENSIONS ARE IN INCHES			
• BREAK ALL SHARP EDGES			
• DRAWING TOLERANCES ARE:			
* ANGLES : 1°			
* 0.XX : 0.01			
* 0.XXX : 0.005			
MATERIAL	N/A	THIRD ANGLE PROJECTION	
WEIGHT (lbs)	92.711		

stidd		STIDD SYSTEMS INC. 220 CARPENTER STREET GREENPORT, NY 11944 USA · (631) 477-2400	
TITLE 500 LOWBACK W/ V5 PEDESTAL			
SIZE	CAGE CODE	DWG No.	REV
D	0W5E3	500-200-V5	-
DO NOT SCALE DRAWING WORK FROM DIMENSIONS		SCALE: 1:5	SHEET 1 OF 1