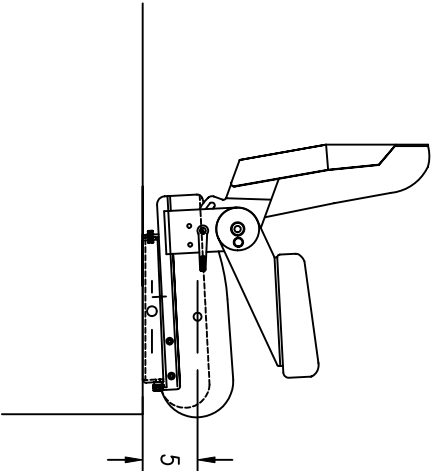
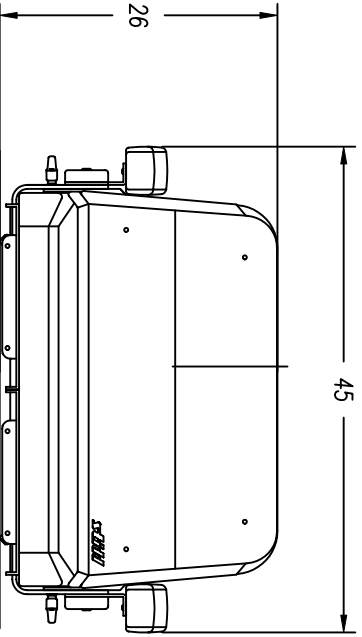
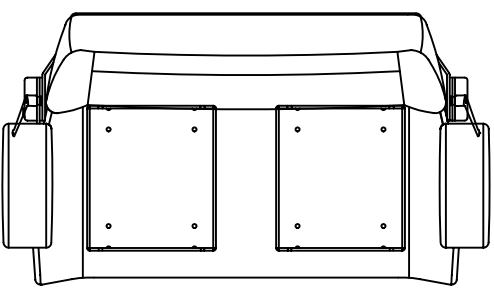


PT# 570-1-350 DIRECT COUPLE ADAPTER
 5" SEAT HEIGHT (lowest possible)
 NO FORE/AFT OR VERTICAL ADJUSTMENT



All information contained on this page is property of STIDD Systems, Inc. Per DFARS 252.227-7016, the Government shall not release, perform, display, or disclose the information on this page outside the Government without the Contractor's written permission.

PROPRIETARY

This document and all information contained, is the property of STIDD Systems, Inc. and shall not be copied, reproduced or disclosed without the expressed written permission of STIDD Systems, Inc.



Stidd Systems, Inc.
 220 Carpenter St.
 Greenvale, NY 11944
 (631) 477-2400

MATERIAL:	
WEIGHT (lbs):	N/A

DRAWN BY:	C. Marotta
CHECKED BY:	W. Gezari

REV:	00
SCALE:	N/A

PART NUMBER:	1200
DATE:	29AUG05

Break All Edges	Tolerances * Except as Noted *
* Except as Noted *	XX - ±.01 .XXX - ±.005 Angles: ± 1°
PART NAME:	1200 SERIES /DIRECT COUPLE ADAPTER
PRODUCT:	1200 SERIES
SHEET:	1 of 1
SIZE:	A