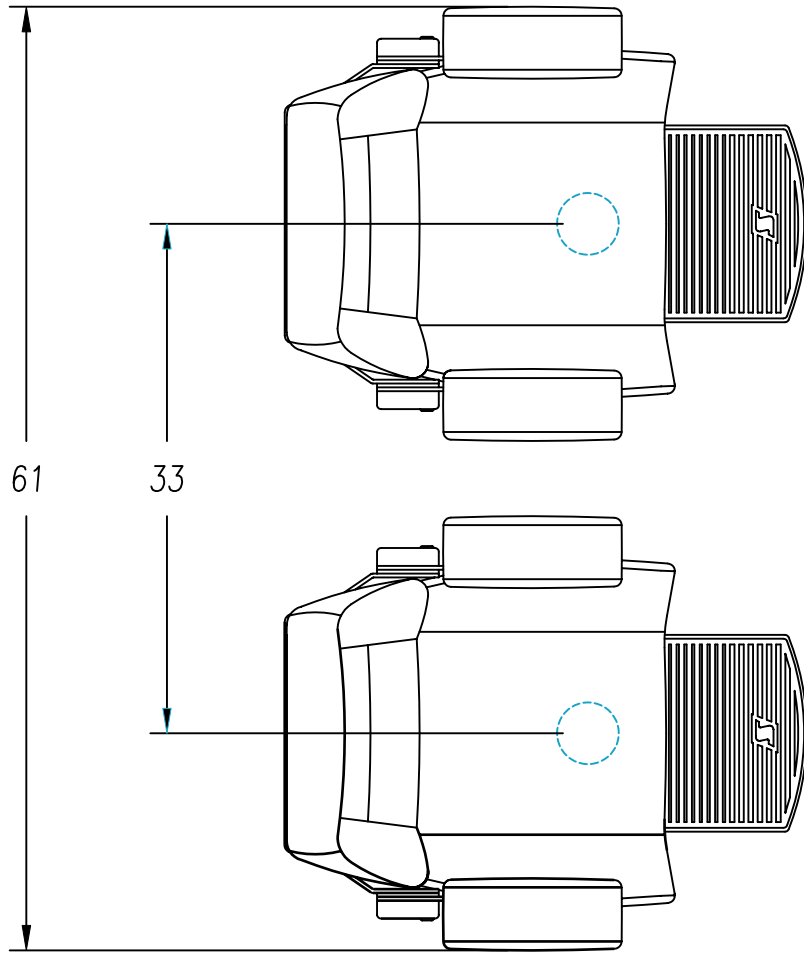
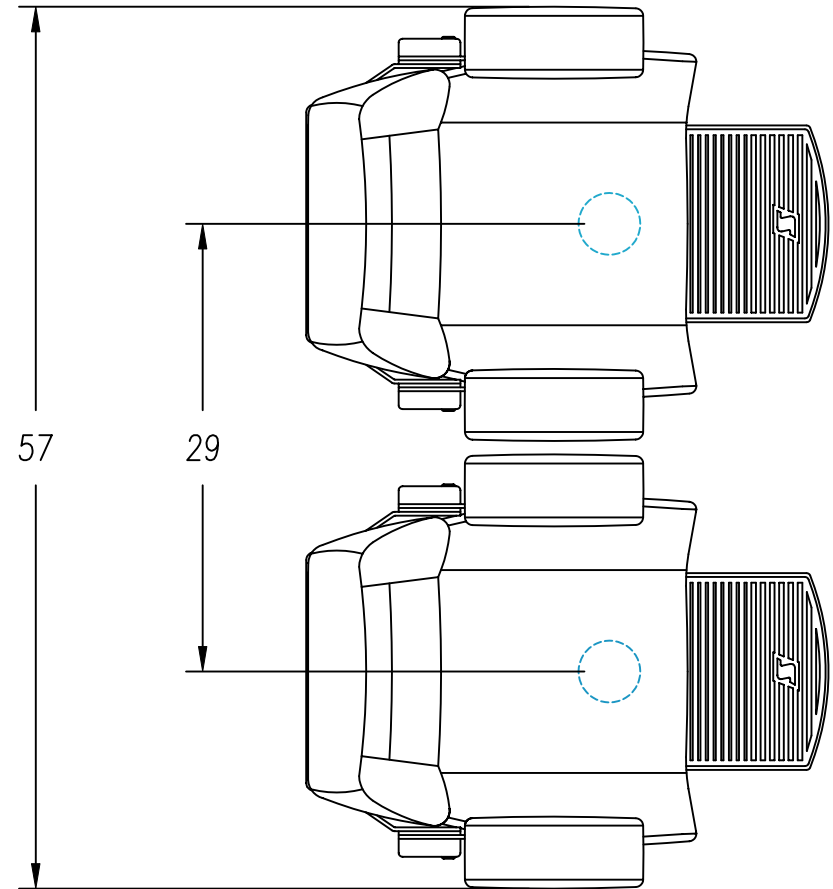


Nominal Layout for Full Range of Motion



Minimal Layout for Full Range of Motion



PROPRIETARY

This document and all information contained, is the property of STIDD Systems, Inc. and shall not be copied, reproduced or disclosed without the expressed written permission of STIDD Systems, Inc.



500 SERIES
LAYOUT

PART NUMBER:

N/A

REV.

SCALE:
N/A

DRAWN BY:

Chris Marotta

CHECKED BY:

Wayne

DATE:

03-15-2002

TOLERANCES
* EXCEPT AS NOTED *

DECIMAL:		FRACTIONAL:		ANGULAR:
.X	.1			+ -1 DEG.
+	.XX	.01	+	
-	.XXX	.005	-	