



# Ergonomic Marine Seating



CATALOG

19

[www.stidd.com](http://www.stidd.com)

TOPSIDE PERFORMANCE FOR THE PILOTHOUSE & FLYBRIDGE



# Welcome

## To A World of Comfort, Strength & Excellence

STIDD Systems, Inc. manufactures a complete line of commercial and military seating, incorporating decades of expertise and knowledge in ergonomic design, human factors, and engineering. . . combined with the pursuit of perfection and an unyielding commitment to quality.

This year, the best gets even better, with more features, comfort, and quality than ever before. Built to MIL Standards using CNC manufacturing techniques and proprietary materials proven to survive the open seas, STIDD seats provide unparalleled strength and corrosion resistance as well as anatomically correct, comfortable positioning for the marine environment.

As our flotillas of happy customers will tell you, the product we really sell at STIDD is Customer Satisfaction. All STIDD products in this catalog are dedicated to YOU, our loyal customers, your quest for perfection, your thirst for innovation, your appetite for quality, and your resolve to triumph over all challenges. YOUR word-of-mouth recommendation of STIDD products influences others to seek the best of everything in life, every day, and drives the entire STIDD team to greater innovations in technology and customer support.

Thank you for confidence, giving all of us at STIDD the opportunity to excel.

*Walter Gezari, CEO*



*Above: The new Ocean Alexander 120 features twin STIDD 500XL-1X2s at the helm. Designed by Evan K. Marshall, the 120 is a trideck design is a collaboration between Ocean Alexander and Christensen Shipyards. Photos by Steve Cridland.*



### ON THE COVER

*Get comfortable and enjoy the ride! Sporting STIDD seats with integrated Volvo-Penta joystick technology the new Coastal Craft 68 combines a fast performance cruiser, with long-range passage maker capabilities.*

*Photos by Neil Rabinowitz.*

### INDEX

- 4&5 Luxury Admiral Seats
- 6&7 Powdercoated Admiral Seats
- 8&9 Luxury Slimline Admiral Seats
- 10&11 Powdercoated Slimline Seats
- 12 Power and Popular Seat Options
- 13 Decor
- 14 Standard Features
- 15 Controls
- 16&17 Mounting Solutions
- 18 Wide Seats
- 19 Double Settees
- 20 Shock-Mitigating Pedestal Seats
- 21 Hi-Performance Seats
- 22&23 Dimensions & Specifications
- 24 Ordering Guide



### STIDD Systems, Inc.

P.O. Box 87 • 220 Carpenter Street  
Greenport, New York 11944  
Phone: 631-477-2400 • Fax 631-477-1095

[www.stidd.com](http://www.stidd.com)





## Military Heritage - Proven Performance



### THE AMAZING **USCG 47MLB** AND YOU

The U.S. Coast Guard's new 47-foot Motor Lifeboat (47MLB), is a heavy weather patrol/rescue craft designed to operate in extreme conditions to help save lives.

Surpassing search and rescue technologies of the past, the 47MLB operates successfully in such extreme conditions as hurricane-force winds and 20+ foot breaking seas. Along with the ability to safely survive a 360° rollover, the boat can pitch-poll, flipping end over end or roll over in swells and right itself in less than 10 seconds.

With a combination of open and enclosed bridge steering stations, the crew's comfort and performance is essential. That's why STIDD Systems' Series 500 Flybridge Admirals are standard equipment aboard every production 47MLB.

Now, you too can own seats tough enough to take a pounding in Sea State 5, strong enough to survive the strain of mountainous seas, durable enough to take it day in and day out, and comfortable enough to keep your crew coming back for more.

*Below: STIDD Systems' state-of-the-art 62,000 sq. ft. manufacturing facility and business offices are located on the Greenport, Long Island, NY waterfront.*



**REAL WORLD TESTING**  
in nature's marine laboratory yields many product improvements. Advanced shock mitigating pedestals, reel harness systems and reinforced seat components all resulted from lateral impact data collected on the Columbia River Bar, where, over the past two decades, STIDD seats have earned their advanced degrees at the U.S. Coast Guard Motor Lifeboat School...“of Hard Knocks”.

### ERGONOMICS IN ACTION

For individuals of all body types, STIDD Systems' Ergonomic Marine Seating provides anatomically correct, comfortable positioning and passive restraint for the functional marine environment, while integrating strong, lightweight, corrosion-proof materials with easy-to-operate, multi-functional adjustment features and dynamic appearance.

Biomechanical research indicates that ergonomically correct positioning and stabilization (EPS) maximizes the alertness and performance of individuals in stressful settings. The revolutionary STIDD Systems seating product line is the direct result of combining the latest EPS data with developments in Human Factors Engineering, Computer Aided Design (CAD) and Computerized Numerically Controlled (CNC) production methods with advanced materials and coatings.

*Left: STIDD 500-100-passing IMO High Speed Craft Class II Certification. On-going laboratory and real world testing assures that every STIDD seat is the best that it can be.*

Order factory direct:  
**631-477-2400 ext.120**  
**email: sales@stidd.com**

**www.stidd.com**



# 500XH Deluxe High Back Admiral



500XH-1X2 High back Luxury Admiral shown in "Black" UltraLeather with tall (-1) pedestal and X2 folding footrest in deluxe chrome and stainless.



## 500XH HIGH BACK

# Luxury Admiral

The 500XH Luxury Admiral offers unmatched quality and comfort for those looking for a high back luxury helm seat. The sparkling chrome & stainless finish accents the finest interiors while the supple upholstery wraps you in total comfort. Ergonomic features include a three-position adjustable headrest that puts this seat in a comfort class by itself.

[www.stidd.com](http://www.stidd.com)



Top: The pilothouse of Christensen's 146-foot "Party Girl" features twin 500XH-2X2 STIDD Luxury leather trimmed seats. Photos by Stephen Cridland. Above: Fleming Yachts proudly offers STIDD helm seating as standard equipment. A STIDD 500XH-1X2 Luxury Admiral is shown in "Black" UltraLeather with cupholder at the helm of a Fleming 65. Photos courtesy of Fleming Yachts.

### ABOUT OUR DELUXE CHROME FINISHES

For improved performance and lasting beauty all STIDD chrome components are fabricated in brass. Available in polished or brush finishes.

All deluxe chrome packages feature a chrome pedestal, chrome footrest and chrome armrest hubs with powdercoated seat frame components.



### ADD THE CONVENIENCE OF POWER

A captain's dream, STIDD's proven power option puts seat adjustments at your fingertips. Our standard power package offers motorized fore/aft and vertical height adjustments, without leaving the seat. Never before has a marine seat been so easy to adjust, so comfortable, yet so durable. For the ultimate specify STIDD's exclusive Power Swivel Upgrade. See page 12 for more information on STIDD Power options.



The benchmark of seaworthy opulence for the helm or topsides

## Deluxe Low Back Admiral 500XL



500XL-2X2 Low back Luxury Admiral shown in "Chai" Fusion Ultra-Leather with matching frame, medium (-2) pedestal and X2 folding footrest in deluxe chrome and stainless.

### 500XL LOW BACK

# Luxury Admiral

Built with the same heritage as our US Coast Guard and military seats, but finished out for gentler pursuits, the 500XL Low Back Luxury Admiral features STIDD's 17-step deluxe polished chrome process that proudly reflects the beauty of its environment, whether they be the rich tones of your interior cabin or the exotic seas before your flybridge.

[www.stidd.com](http://www.stidd.com)

Top: Three Deluxe 500XLs command the spacious wheelhouse of Trinity Yacht's "Lady Linda" - a 187 ft. (57m) tri-deck Motoryacht. Interior design by Evan Marshall. Photos by Buggy Gedlek  
Above: Comfort for the great outdoors . . . four 500XLs with piping at the flybridge of Westports 164 "Boardwalk". Photos by Scott Pearson.

#### 500XH & 500XL STANDARD FEATURES

360° swivel with 45° locking detents, 8-inch fore/aft slide, telescoping pedestal with an 8-inch vertical height range, folding footrest, folding armrests and 40° reclining backrest. Choice of colors and pedestal height. All power options available.

#### 500XH & 500XL CHROME & STAINLESS

The deluxe polished chrome & stainless package includes: chrome pedestal, chrome arm hubs, chrome X2 folding footrest with hangers, and stainless "Trigonal" clamp handles.

#### SERIES 500XH & 500XL - Deluxe Chrome Package

Net weight: 122 - 126 lbs.

Shipping weight: 135 - 145 lbs.

Ships in two boxes (1) seat box; (1) pedestal box via UPS or FedEx Worldwide.



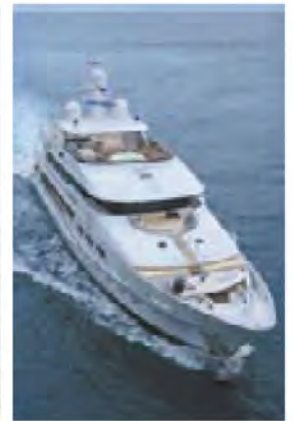


All around comfort & strength for commercial or pleasure

## 500-100 Powdercoated High Back



500-100-2X2 High back Admiral shown in "Black" Naugahyde upholstery with medium (-2) telescoping pedestal and X2 folding footrest in "Midnite Black" powdercoat. (Hard back shown)



### 500-100 HIGH BACK

# ADMIRAL

Outfitted with the same features as our deluxe high backs but finished in tough baked-on powdercoat, Series 500-100 all-purpose standard high back models fit boats and mariners of every shape and size.

Order factory direct:

**631-477-2400 ext.120**

**email: sales@stidd.com**

**www.stidd.com**

Top: Three 500-100-1X2s in custom leather with piping at the helm of the 163 ft. Christensen "Casino Royale" Photos by StevenCridland.

Above: A 500-100-2X2 provides the captain a comfortable perch aboard the "Peconic Star Express" an 85 ft. aluminum charter boat that operates out of Greenport.

#### AVAILABLE OPTIONS & ACCESSORIES

- All Power Options:  
Power Fore/Aft - Power Pedestal - Power Swivel
- Armrest Mounted Controls
- Deck Track Systems
- Upholstery Piping
- Cupholder/Accessory Tray
- Writing Surfaces
- Protective Covers
- Teak Trim
- X4 Reclining Footrest (recommended for hi-back models only)
- Shock-Mitigating Pedestals
- Seat Belts and Reel Harness System





The best value in marine seating

## Powdercoated Low Back Admiral 500-200



500-200-2X2 Low Back Admiral helm seat shown in "White" UltraLeather with "Hi-Reflectance White" powdercoat finish.

### 500-200 LOW BACK ADMIRAL

The all-purpose full-size Series 500 low back is finished in tough baked-on powdercoat and comes with STIDD's legendary ergonomic comfort and strength features built in. Choice of colors and pedestal height.

All STIDD 500 Seats are fully-equipped, including fore/aft slides, telescoping pedestal, locking swivel, X2 footrest, deck interface plate, and seat hardware... unless ordered otherwise.

Order factory direct:  
**631-477-2400 ext.120**  
**email: sales@stidd.com**

[www.stidd.com](http://www.stidd.com)



#### STANDARD SERIES 500 FEATURES

360° swivel with 45° locking detents, 8" fore/aft slide, telescoping pedestal with 8" vertical height range, folding footrest, folding armrests and 40° reclining backrest.

All power options available.

#### SERIES 500 UPHOLSTERY

All Series 500 seats are available in polyurethane (UltraLeather), vinyl (Nau-gahyde), factory supplied leather or COM\* upholstery packages in your choice of colors.

\*COM = Customer's Own Material

#### SERIES 500-100 & 500-200 - Powdercoated Seats

Net weight: 82 - 86 lbs.

Shipping weight: 98 - 106 lbs.

Ships in one box via UPS or FedEx Worldwide.



High Style - Luxurious Feel

## 500NXH Deluxe Slimline High Back



500NXH-1X2 High back Slimline Admiral shown in "Black" UltraLeather with tall (-1) pedestal and X2 folding footrest in deluxe chrome and stainless.

### 500NXH HIGH BACK

# Luxury Slimline

The 500XH Luxury Admiral offers unmatched quality and comfort for those looking for a high back luxury helm seat. The sparkling chrome & stainless finish accents the finest interiors while the supple upholstery wraps you in total comfort. Ergonomic features include a three-position adjustable headrest that puts this seat in a comfort class by itself.

[www.stidd.com](http://www.stidd.com)



Top: A 52 SeaRay Sedan Bridge sports new found style and comfort at the helm with a STIDD 500NXH-3NF in "White" UltraLeather. The installation was easy too, thanks to STIDD's new 6 bolt to 8 bolt adapter. (See page 15) Photo by Ron Roberts.

Above: Two 500NXH-1X2 Luxury Slimline Power Admirals at the helm of the 80 ft. Raised Pilothouse LRC built by Northern Marine. Photos by Neil Rabinowitz.



### "A LITTLE" ABOUT THE SLIMLINE

STIDD Systems' Series 500N "Slimline Admiral" is the perfect solution for applications where space is tight. Now you can enjoy all of the comfort and quality of a full size STIDD seat in less space. Choose from 500N Slimline Low Back or 500NH Slimline High Back models.

STIDD Slimline 500N and 500NH seats are 5" narrower arm-to-arm than standard STIDD 500 Series, they are only 1 $\frac{1}{2}$ " narrower in seating width making them feel just as comfortable as a full-sized seat, even for full-sized occupants. Slimline seats are also 1" shallower fore/aft and the X2 footrest is 1" higher, conforming to the requirements of our ergonomic database.



The right look with the right fit is everything

## Deluxe Slimline Low Back 500NX



500NX-2X2 Low back Luxury Admiral shown in "Chamois" UltraLeather with matching frame, medium (-2) pedestal and X2 folding footrest in deluxe chrome and stainless.



Top: Twin 500NX-1X2 Slimline Luxury Admirals at the helm of Horizon Yachts Dynasty 97 Raised Pilothouse. Photos by Neil Rabinowitz.  
Above: Outside two! 500NX-2X2s on the flybridge of "Zoro" a Nordhavn 68. Photos by Stephen Cridland

### 500NXH & 500NX STANDARD FEATURES

360° swivel with 45° locking detents, 8-inch fore/aft slide, telescoping pedestal with an 8-inch vertical height range, folding footrest, folding armrests and 40° reclining backrest. Choice of colors and pedestal height. All power options available.

### 500NXH & 500NX CHROME & STAINLESS

The deluxe polished chrome & stainless package includes: chrome pedestal, chrome arm hubs, chrome X2 folding footrest with hangers, and stainless "Trigonal" clamp handles.

### SERIES 500NXH & 500NX - Deluxe Chrome Package

Net weight: 122 - 126 lbs.

Shipping weight: 135 - 145 lbs.

Ships in two boxes (1) seat box; (1) pedestal box via UPS or FedEx Worldwide.

## 500NX LOW BACK

# Luxury Slimline

Built with the same heritage as our US Coast Guard and military seats, but finished out for gentler pursuits, the 500XL Low Back Luxury Admiral features STIDD's 17-step deluxe polished chrome process that proudly reflects the beauty of its environment, whether they be the rich tones of your interior cabin or the exotic seas before your flybridge.

Order factory direct:

631-477-2400 ext.120  
email: sales@stidd.com





Keeps you snug in rough seas

## 500NH Powdercoated Slimline High Back



500NH-2X2 High back Slimline Admiral shown in "White" Ultra-Leather with tall (-2) pedestal and X2 folding footrest in "Hi-Reflectance" White Powdercoat finish.



### 500NH HIGH BACK SLIMLINE ADMIRAL

Get all of the space-saving Slimline features in a high back configuration. The 500NH powdercoated model is made to work and play as hard as you do. Designed to provide hours of comfort at the helm with the added support of a high backrest complete with three-position adjustable headrest.

Top: Flying high! Two 500NH-2X2s outfitted with our teak trim package makes "Blue Eyes" stand out at the dock and comfortable in high seas.

Above: STIDD makes upgrading a snap! Shown above: A 500NH with one of our 9" base pedestals made for an easy installation aboard a Meridian 441 Sedan. We have comfortable solutions for every make and model. See pages 15, 16 and 17 for more mounting solutions or ask a sales rep.

#### AVAILABLE OPTIONS & ACCESSORIES

- All Power Options:  
Power Fore/Aft - Power Pedestal - Power Swivel
- Armrest Mounted Controls
- Deck Track Systems
- Upholstery Piping
- Cupholder/Accessory Tray
- Writing Surfaces
- Protective Covers
- Teak Trim
- X4 Reclining Footrest (recommended for hi-back models only)
- Shock-Mitigating Pedestals
- Seat Belts and Reel Harness System





The best kept secret on the waterfront

## Powdercoated Slimline Low Back 500N



500N-2X2 "Slimline Admiral" Low back shown in "White" Ultra-Leather with medium (-2) telescoping pedestal and X2 footrest in "Hi-Reflectance White" powdercoat.

## 500N LOW BACK SLIMLINE ADMIRAL

### SLIMLINE LOW BACK

The all-purpose 500N Slimline low back finished in tough baked-on powdercoat provides all of the durability and comfort of our standard Series 500 in a trim 23" wide package. Inside or out they are versatile enough to fit small boats yet dynamic enough to enhance a large bridge.

Order factory direct:

**631-477-2400 ext.120**

**email: sales@stidd.com**

**www.stidd.com**



### STANDARD SERIES 500N SLIMLINE FEATURES

360° swivel with 45° locking detents, 8" fore/aft slide, telescoping pedestal with 8" vertical height range, folding footrest, folding armrests and 40° reclining backrest. All power options available.

### SERIES 500N UPHOLSTERY

All Series 500 seats are available in polyurethane (UltraLeather), vinyl (Naugahyde), factory supplied leather or COM\* upholstery packages in your choice of colors.

\*COM = Customer's Own Material

### SERIES 500N & 500NH - Powdercoated Package

Net weight: 75 - 78 lbs.

Shipping weight: 92 - 102 lbs.

Ships in complete in one box via UPS or FedEx Worldwide.



Make your STIDD Seat even better.

## OPTIONS & ACCESSORIES



### POWER OPTIONS

A captain's dream, STIDD's proven power option puts seat adjustments at your fingertips. Motorized fore/aft vertical height, and swivel adjustments can be made without leaving the seat. Never before has a marine seat been so easy to adjust, so comfortable, yet so durable.

Specify 12VDC (standard) or 24VDC (optional) when placing your order. No exposed wiring - all wiring runs through the pedestal for a neat appearance. All electronic components are completely marinated.

Power options are available for all STIDD models.

- Motorized 8-inch fore/aft travel
- Motorized 8-inch vertical height adjustment
- Power Swivel upgrade allows 180° port and starboard rotation.

#### POWER REQUIREMENTS:

12VDC/15 amp maximum load.  
Fuse with 20 amp circuit breaker.

24VDC/ 8 amp maximum load.  
Fuse with 10 amp circuit breaker.

Order factory direct:

**631-477-2400 ext.120**  
**email: sales@stidd.com**  
**www.stidd.com**

#### A. CUP HOLDER / ACCESSORY TRAY

Model 510-199

Holds your drink and your sunglasses, too. Easy to install and finished in matching powdercoat this fold out cup holder fits either left or right arm. Fits all models, order with your new STIDD seat or retrofit.

#### B. CHART POCKET Model 510-108

Stow your charts, maps, notebooks and favorite reading material right behind your seat. Upholstered in matching seat fabric, this convenient storage pocket features an elastic top, durable contoured ABS backing, and drainage holes. Order with your new STIDD seat or retrofit.

#### C. X4 RECLINER OPTION

When the lines are on the dock, or the watch has changed, it's time to relax - and nothing adds more comfort to your STIDD highback than the X4 Recliner Footrest option. This unique design converts from a standard footrest to a luxurious recliner in seconds. For new Series 500 and Slimline highback orders only. Available in powdercoat or deluxe chrome finishes. *Independent backrest functions allows you to lock in your personal comfort angle.*

#### D. FITTED PROTECTIVE COVERS

Model U/C500-200-C

Protect your investment with an authentic STIDD cover. The white marine-grade sunbrella looks sharp while protecting your seats when not in use. Embroidered with the STIDD logo, available for all models. Specify full-size or slimline, highback or lowback when ordering.

#### E. ACCESSORY BULKHEAD MOUNT FOOTREST

Model 510-116B

Our X2 folding footrest in a bulkhead mount! For use with box mounted seats. Powdercoat or chrome finish

#### F. SPORTFISH BACK

Model 510-117

Available for Series 500 and 500N Low Back models, this forward folding backrest option offers increased visibility and a convenient support to lean against when facing aft.



# COVERINGS

## FACTORY-SUPPLIED PREMIUM LEATHER & C.O.M.

(Customer's Own Material)

For those rare individuals in whose vocabulary the words "compromise" and "economize" do not exist, factory-supplied premium leather and customer supplied upholstery options are also available for any STIDD seat. 75 square feet of customer's premium leather is required per seat. If fabric is supplied: 4 yards of 54-inch wide roll stock is recommended. Contact factory for more details. Upholstery up-charge applies to all COM and Leather options.

## POLYURETHANE (UltraLeather)

Our most popular upholstery choice, because it is truly the best value! For a warm and rich upholstery covering with the optimal combination of comfort and strength, choose Polyurethane over spun rayon (a marine grade formulation of a fabric commonly referred to as "UltraLeather"). This amazing synthetic leather-like plastic is strong, durable, supple and easy to maintain, which is why it has become the choice of sport fishermen, interior designers and discriminating yacht owners. Our Polyurethane is treated with STIDD's proprietary formulation to resist mold and fungus, making it suitable for either exterior or interior marine use. Available in over 60 colors! The Polyurethane package includes a wrapped backpan exterior. Available for all models.

## VINYL (Naugahyde)

Available in a range of basic colors, this traditional Naugahyde vinyl covering is "industrial strength". Our most economical covering, vinyl is generally used in either interior or exterior places, where extreme comfort is not a primary goal. The standard vinyl package does not include a wrapped backpan exterior. Available for all models.

## ADDITIONAL YARDAGE

Need matching material to complete your overhead? Additional 54" wide roll stock is available by the yard, up to 33 yds. per roll. Order as many yards as you need of p/n 510-112.

# DECOR



## UPHOLSTERY

### PIPING

Add flare to any STIDD seat with this optional upholstery trim package #510-124. Combine the colors of your choice for a decorating accent that reflects your personal style.

Optional upholstery piping is available for all STIDD models.

### 1 INCH THICKER FOAM

Add 1" thicker foam to the seat cushion - order 510-138. Available for Series 500 and 500N seats only.

### REPLACEMENT CUSHIONS

Make your STIDD look like new again. Order genuine STIDD replacement cushions factory direct. Individual cushions or complete sets available. Easy do-it-yourself installation. Provide the serial number from your STIDD seat and call for assistance.

### TEAK TRIM PACKAGE

Get the classic sportfish look, without the traditional backache! STIDD's gleaming bright teak package features a teak ladder back; teak armrest hubs and teak foot tread. All hand finished with 10 coats of Epiphanes tongue oil varnish and hand rubbed between coats for a spectacular appearance.

510-118 Teak trim package is available for STIDD 500, 500N and 1200 low back models.



## COLOR CHARTS

Here's a sampling of popular UltraLeather colors . . . there are over 62 colors to choose from! We're here to assist you. Call 631-477-2400 X120 to request color charts and samples.





Discover all of the ergonomic features built in to your STIDD Seat



## BUILT FOR THE GREAT OUTDOORS!

- STIDD seats excel at every station: pilothouse, salon or flybridge.
- Our quality craftsmanship in aluminum and stainless to MIL specs conveys immunity to immersion in salt water.
- Our tough powdercoat and deluxe chrome finishes look good and stay for keeps, where others peel and rot.
- Our hardcoat anodized and solid Acetal components are buried in the seat where they protect your investment without being seen.
- Our electrically isolated components intercept corrosion before it starts.
- Our sealed upholstery cushions and luxurious polyurethane coverings stand up to the toughest abuse and reject water while providing that legendary STIDD comfort.
- Our power drives are ruggedized to survive the worst case scenario.
- Our quality assurance commitment and proactive customer support policies keep STIDD owners out to sea, corrosion-free, and happy!

### DECKPLATE NOTES:

Deckplates must be properly mounted to a secure foundation. Seats should be ordered as early in the vessel construction phase as possible to assure timely delivery of color coordinated deck plates to coincide with the completion of your interior overhead. Please note that positioning the deck plate before mounting is very important and installation times may vary due to vessel characteristics.

To assist you in planning your seating layout please consider these helpful hints:

- The center of the deck plate is normally mounted approximately 22 inches aft of the nearest obstruction at knee level (i.e. steering wheel, bulkhead, etc.).
- Determine the correct mounting location and confirm that you have a suitable foundation.
- Install the deck plate with the arrow facing forward and center.
- Attach your seat to the deck plate with the stainless fasteners, isolation gasket and washers provided. Installers mounting Power seats - take extra care - do not pinch wiring.
- Attach a ground wire to one of the deckplate thru-bolts, to minimize stray galvanic activity between boat and seat.

## STANDARD FEATURES



**FOLDING-LOCKING ARMRESTS**  
Adjustable armrests fold a full 90° and lock in place.

**WATERPROOF ARMREST LOCK**  
Push-button lock mechanism releases armrest to swing away for quick lateral exits and freedom of movement, or locks positively in place to secure the armrest for extra hold-on.

**ORTHOPEDIC CONTOURS**  
provide hours of comfortable support. STIDD seats are designed to provide orthopedically correct support, while the "water-fall" front cushion improves circulation to the legs and feet.

**360° SWIVEL & LOCK**  
Rotate a full 360 degrees with spring loaded stainless detent positions at 45° intervals.

**X2 FOLDING FOOTREST**  
Our standard footrest features a rugged ABS tread with stainless "S" logo. Folds up so you can lean against the front seat cushion when standing.

**RECLINING BACKREST**  
Adjust and lock securely in any position over a 40° range. A small adjustment in back angle provides a big difference in ride comfort.

**VERTICAL HEIGHT ADJUSTMENT**  
STIDD telescoping pedestals offer an 8 inch range of vertical height adjustment. Equipped with a locking clamp and airspring counterbalance for convenient height adjustment.

**8-INCH FORE/AFT ADJUSTMENT**  
Move forward for maneuvering or back for cruising or anywhere in-between, with an adjustment range of 8 inches.

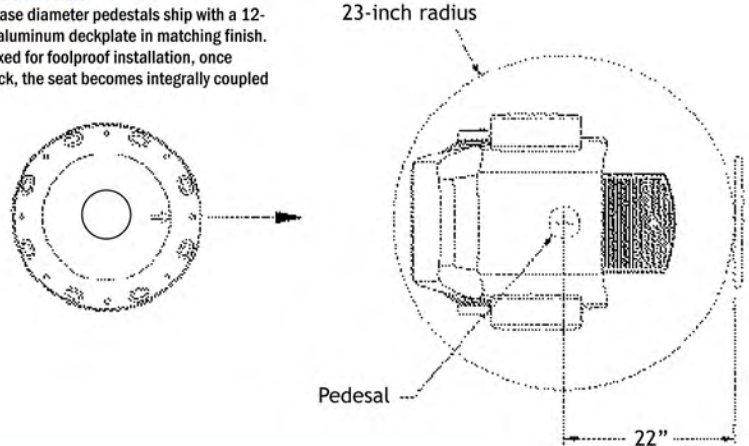
**MASSIVE TELESCOPING PEDESTAL**  
Heavy-duty 4-inch diameter aluminum alloy telescoping pedestal provides unsurpassed impact absorption and lateral stability. Standard 12-inch base (shown)

Optional 9-inch base available



### 12" DIAMETER DECKPLATE

Standard 12-inch base diameter pedestals ship with a 12-inch diameter cast aluminum deckplate in matching finish. Helicoiled and indexed for foolproof installation, once mounted to your deck, the seat becomes integrally coupled to the boat.





Why stand when you can STIDD?

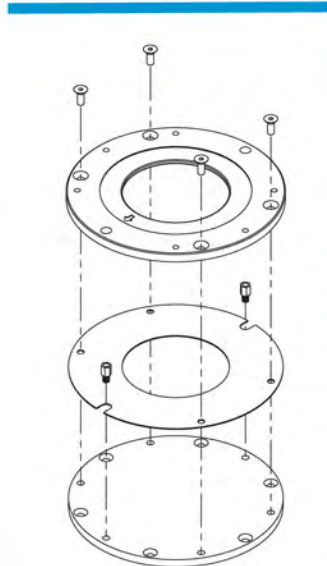
# CONTROL ENCLOSURES



## OPTIONAL 9-INCH BASE TELESCOPING PEDESTALS

Replacing existing seats? Consider our optional 9-inch diameter pedestals. With a universal 3-bolt mounting pattern these bases mate with most 9-inch deckplates\* for easy, economical do-it-yourself installation. Available in powdercoat or chrome finishes in manual or power configurations.

*\*Fits Pomponette, Murray, Todd and other 9-inch diameter deckplates.*



## 6 BOLT to 8 BOLT DECKPLATE ADAPTER

STIDD Model 510-1-175 Adapter  
**Attention SeaRay owners...** don't drop your headliner... upgrading to a STIDD just got easier! Our new adapter mounts directly to your existing 12-inch 6-bolt deckplate for quick and easy STIDD seat installation. Available in powdercoat finish only.



**NEW Integrated armrests for Simrad and Volvo-Penta Controls.**  
510-130 for Simrad GB50 Quickstick (shown left)  
510-131 for Simrad GB60 Glass Bridge System  
510-200 for Volvo-Penta IPS Joystick. (shown right)  
*Consult factory for more information.*



## JOYSTICK & TRACKBALL ENCLOSURES

*Armrest mounted Control Enclosures are available for all STIDD models*

Whether you steer by C. Plath, Robertson, Raynav, KaMeWa, Bird Johnson or navigate with Kelvin Hughes controls or any ECDIS/radar trackball, STIDD Systems has the enclosures required to integrate them with your armrest. Every enclosure is designed with several biomechanical subtleties, such as proper amount of wrist and forearm internal rotation, flexion, and radial deviation to make the input device comfortable to hold, use and operate on long transits. We have delivered enclosures for the most demanding yacht, military and government applications. Contact us with the make and model of your device.



*Consult factory:*  
**631-477-2400 ext.120**  
**email: sales@stidd.com**

**www.stidd.com**



## Fixed Seat Height Mounting Solutions

### FOR FIXED HEIGHT SEAT APPLICATIONS STIDD OFFERS A COMPLETE RANGE OF MOUNTING SOLUTIONS.

- **510-1100-S** - Surface mounts allow fore/aft and swivel with a fixed 9.75 inch seat height.
- **570-1-350** Direct couple adapter provides a fixed seat height of 6 inches with no fore/aft or swivel.
- **500N-FA and 500-FA** seats provide a non-swiveling 7-inch fixed seat height with 7-inches of fore/aft adjustment.

Consult factory for other popular fixed height surface-mount style pedestals.



Top: The new Cabo 44 Express runs with a 500-200-1X2 at the helm with two 500N - Surface Mount Companion Seats. Photo by Forrest Johnson.

Above: Mount it your way - Surface mounts and flush mounts are available for every single or double STIDD.

### 500N-FA

This new STIDD seat series is designed for small to mid-sized boats where seats are installed atop storage or fiberglass boxes.

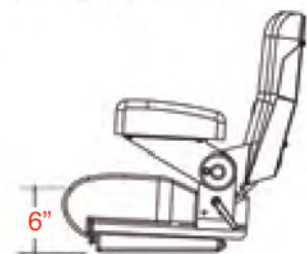
The FA Series offers a 7-inch fixed seat height and features a new fore/aft mechanism that provides 7-inches of fore/aft travel. Travel is adjusted by releasing the easy-to-reach paddle at the front edge of the seat. The front edge of the pedestal is squared off to allow seat positioning close to the edge of the box or cabinet.

Available in Full-Size 500FA or Slimline 500N-FA models. Powdercoat finish only. No swivel.



### 570-1-350 DIRECT COUPLE ADAPTER

The 570-1-350-direct couple adapter provides a static 6-inch fixed seat height for Series 500, 500N, 500W and 1200 seats. No fore/aft adjustment. Finished in matching powdercoat.



## SURFACE MOUNTS

### 510-1100S

Mount any STIDD seat on an existing box or molded structure at the helm with the 510-1100S surface mount pedestal. Provides a 9-inch fixed seat height for Series 500, 500N, 500W and 1200 seats. Available in matching powdercoat or chrome finish. Ships with a matching deckplate. Accepts manual or power fore/aft equipped seats.





Cabinet space with a view! Top: Two 500N Slimlines with deck penetrating telescoping pedestals aboard an MJM 34Z. Top Right: The helm of the Grand Banks 55 Eastbay SX features a deck penetrating pedestal which provides an adjustable seat height for better visibility.

## HI-LOW DECK OR BOX PENETRATING PEDESTALS

For layouts requiring extreme ranges of seat or table height adjustment, STIDD Deck Penetrating pedestals offer the perfect solution. Available for all models, in deluxe chrome or powdercoat finishes. Consult factory with your specific requirements. Manual and power configuration

Order factory direct:  
**631-477-2400 ext.120**  
**email: sales@stidd.com**

[www.stidd.com](http://www.stidd.com)

## DECK TRACKS

For added mobility at the helm, the STIDD deck track system offers a smooth slide carriage. Simply depress the foot bar and slide the seat forward or backward to the desired position, release and lock. Carriage locks every two inches.

### 510-V205-T Deck Track System.

Powdercoat finish.  
 Custom track lengths available.  
 Consult factory with your requirements.

## TABLE PEDESTALS

Telescoping Table Pedestals are available in many styles and sizes, manual and power. Consult factory.

Select the telescoping pedestal that best suits your table height requirements, in either manual or power.

- 1 Tall telescoping pedestal  
 (31-39" Seat Height Range)  
 (25-33" Table Height Range)
- 2 Medium telescoping pedestal  
 (26-34" Seat Height Range)  
 (20-28" Table Height Range)



### EXPEDITION TRAY Model 510-121

Surf the internet, eat lunch, or finally get down to writing your memoirs in the comfort of your STIDD seat, with STIDD's new "Expedition Tray"

This clever accessory table is perfect for mariners who need a stable surface for a laptop, a mouse, or for just kicking back and enjoying a snack. You'll find dozens of convenient uses for it. The "Expedition Tray" easily folds out and locks in place, or folds up and stows with the efficient, smart operation that is a hallmark of all STIDD designs. Available for Standard Series 500 and 500N Slimline Seats. For new STIDD seat orders. Powdercoat finish only.





Strong, roomy and so comfortable!

# 500W Wide Low Back Admiral



## 500W WIDE

Here's the perfect seat for boat owners who need some extra room. At 36 inches wide the 500W is a full 8 inches wider than standard Series 500 models and 13 inches wider than Slimline seats. Choose from tough baked-on powdercoat or deluxe polished chrome finishes in your choice of upholstery.

500W seats are available with all Series 500 options. Choose power, piping, chrome, surface mounts or deck penetrating pedestals... no matter how you outfit it it's the best seat in the house.

Order factory direct:  
**631-477-2400 ext.120**  
**email: sales@stidd.com**

[www.stidd.com](http://www.stidd.com)



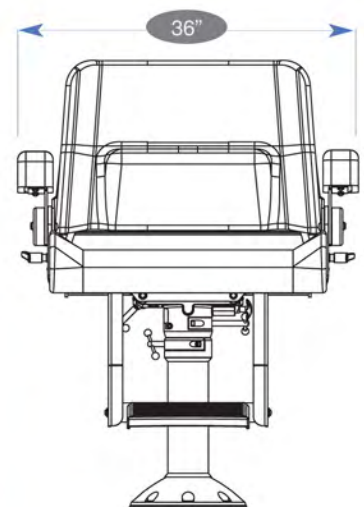
Top: 500WX-2x2 with the Deluxe Chrome Package completes the starboard helm of the 76 Nordhavn "Aurora". Left: A Powered 500W at the controls of a 4200 Open.

### AVAILABLE OPTIONS & ACCESSORIES

- Deluxe Chrome & Stainless Package
- Power Fore/Aft & Power Pedestal
- Armrest Mounted Controls
- Deck Track Systems
- Upholstery Piping
- Cupholder/Accessory Tray
- Protective Covers
- Teak Trim

### SERIES 500W

Net weight: 86 - 93 lbs.  
Shipping weight: 105 - 115 lbs.  
(Manual powdercoated packages)  
Call for Chrome and Power weights.  
Ships in complete in one box via UPS  
**Oversized package**  
**40 X 38 X 24.**



**SERIES 500W**



Side by Side Comfort

## Double Seats 1200 & 1200W



### 1200 & 1200W

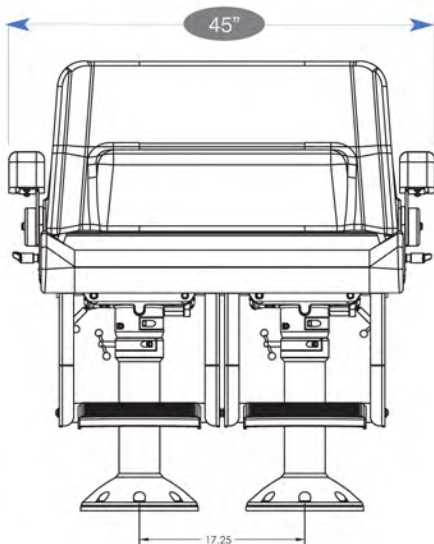
# DOUBLE SETTEES

For side-by-side seating, STIDD Series 1200 Double Seats are the most accommodating seats you can buy. Select from premium chrome & stainless or powdercoat finishes in two models: Series 1200: 45-inches wide or Series 1200W: 54-inches wide.

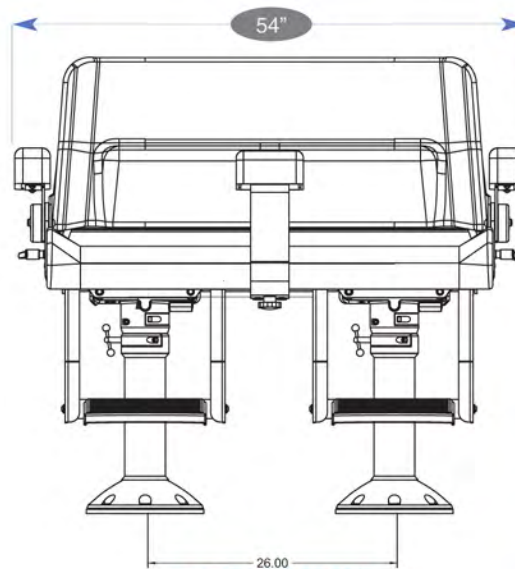
#### STANDARD SERIES 1200 FEATURES

8-inch fore/aft slides, twin telescoping pedestals with 8-inch vertical height range, individual folding footrests, folding armrests and one-piece 40° reclining backrest. Power options available. 1200W models include a removable center armrest. Consult page 16 and 17 for box mount options.

[www.stidd.com](http://www.stidd.com)



**SERIES 1200**



**SERIES 1200W**

#### SERIES 1200 - 1200W

Net weight: 145 - 165 lbs.  
(Manual powdercoated packages)  
Call for Chrome and Power weights.  
Ships assembled / crated  
**Crate: 60 x 36 X 54**



# 500V5 Shock-Mitigating Pedestal Seats



USCG 500V5 shown in D/A Aluminum Finish with 510-210 CRES Reel Harness System which allows the operator controlled release and retraction of the 4-point harness. Optional on commercial 500V5 high back seats. Consult factory.



Inside or out! Top: Four 500V5 Slimline Highbacks aboard a Protector 35 - Photo courtesy Protector Boats. Above: Three Full-Size Admiral Highbacks with V5 Pedestals are right at home at the helm of Kvichak Marine's 75-foot Pilot boat "Georgia" - photo by Neil Rabinowitz. Above right: 500V5 Shock-mitigating seats are standard equipment on every USCG RB-M.

## SERIES 500V5

### SHOCK-MITIGATING PEDESTAL SEATS

Proven by the United States Coast Guard aboard the 47MLB, the Series 500V5 represents the most advance shock mitigating pedestal seat system available for the marine environment.

The massive 6 5/8 inch diameter pedestal houses a nitrogen diaphragm shock to mitigate slam loads associated with high speed transits in sea state 3-4.

Available for Series 500 or 500N Slimline models  
Consult factory for specifications and deliver



#### V5 SHOCK-MITIGATING PEDESTALS

- Combines all the comfort features of Series 500 and Series 500N Slimline seats with STIDD's proven second-generation shock absorber technology - originally developed for military users.
- Mitigates slam loads associated with high-speed transits in sea state 3-4 to comfortable levels.
- 6 5/8-inch diameter pedestal provides 4-inches of nitrogen-diaphragm shock travel to soften impacts.
- Rated for occupants weighing up to 350 lbs.
- 10-position adjustable rebound damping.
- Factory pre-set spring pre-load.
- Powdercoat or D/A finish only
- Available in 6 configurations providing initial seat heights from 28-inches to 36-inches. Consult factory with your requirements.





## Advanced Shock-Mitigating Seat/Bolster 800V5



Above: 800v53 seats are standard equipment aboard the 82 ft. USSOCOM MkV SOC Special Operations high-performance combatant craft capable of sustained maximum speeds in excess of 45 knots.

Below: 800V53 quickly converts to the standing position, with fully sprung bolster.



For Military, commercial or pleasure: Above: 800V53 in luxurious UltraLeather and powdercoat finish. Top left: 800V53 Double PAX - D/A Alumium finish with Hi-Tenacity polyester upholstery. Left: 800V53 in COM leather at the helm of McMullen & Wing's 37.9 meter high speed motoryacht Ermis<sup>2</sup>

# 800V53

## ADVANCED SHOCK-MITIGATING SEAT BOLSTER

The 800V53 offers a solution to repetitive orthopedic stress injuries resulting from violent slam loads. Proven in 6 ft. seas at 50 knots aboard the MkV Special Operations Craft, the 800V53 provides superior comfort and safety for operators in long-duration, open-water transits. For recreational and commercial applications, the 800V53 is now available in a luxurious package featuring a tough powdercoat finish and supple UltraLeather upholstery.

For mounting specify:

- p/n 820-4-159-V53 Front Row Kit,
- p/n 820-4-160-V53 Aft Row Kit and
- p/n 820-4-161-V53 Double Seat Connector Kit, or
- p/n 860-1022 Aluminum Foundation Weldment

Consult factory for more information.

[www.stidd.com](http://www.stidd.com)

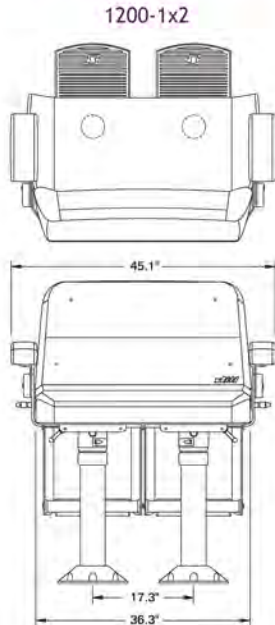
### 800V53 STANDARD FEATURES

- 7" Vertical Stroke Shock Absorber
- Forearm supports with "Stealth" hand grips
- Corrosion Resistant Stainless CRES Lap Belt
- Ergonomic Mission- configurable variable rate physiological foam cushions
- Hi-Tenacity polyester upholstery
- Fold-away Locking Reinforced Armrests
- Fold-away Stainless Footrest
- 30° Reclining Backrest with lumbar and thoracic support and massive headrest.
- Rear Passenger Grab Bar
- Welded Aluminum Alloy Structure
- Non-corrosive components
- Modular frame construction for single or double seat configurations.

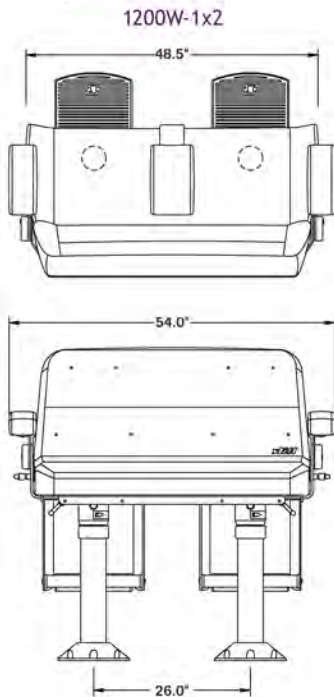




## Series 1200



For 1200-2X2 or 1200W-2X2 use height dimensions of 500-200-2X2



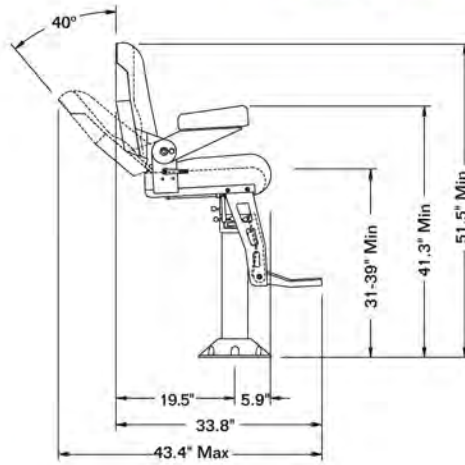
Series 1200 net weight approx: 168 lbs.  
Series 1200W net weight approx: 185 lbs.

Series 1200 seats ship fully assembled - crated (60x36x54) via Air Freight Worldwide. Weight approx 325 lbs.

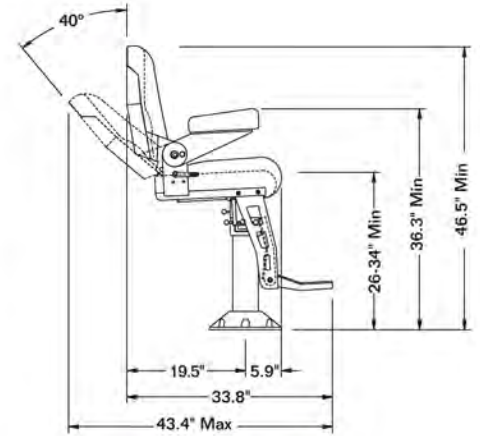
# DIMENSIONS

All dimensions are in inches. All seats are shown in full aft position.

### 500XL & 500-200 Low Back



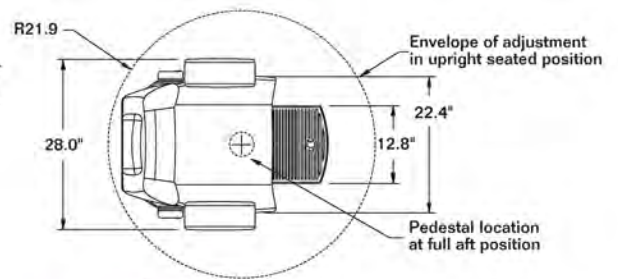
500XL-1X2 & 500-200-1X2



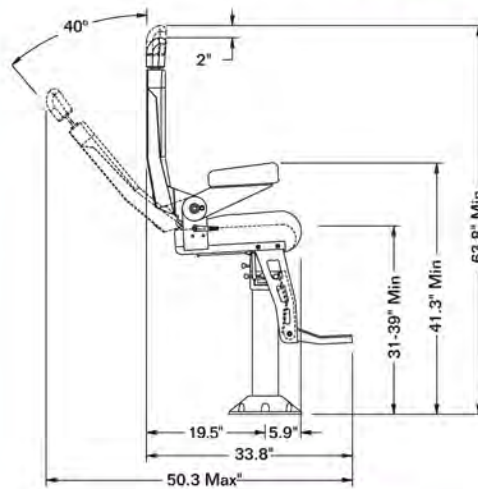
500XL-2X2 & 500-200-2X2

## Series 500

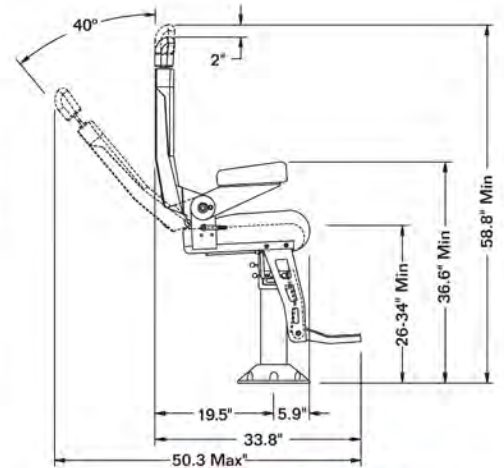
All STIDD 500 Seats are fully-equipped, including fore/aft slides, telescoping pedestal, locking swivel, X2 footrest, deck interface plate, and seat hardware...unless ordered otherwise!



### 500XH & 500-100 High Back



500XH-1X2 & 500-100-1X2



500XH-2X2 & 500-100-2X2

STIDD Systems, Inc. is proud to support these Government Commands including U.S. Special Operations Command



U.S. Coast Guard



U.S. Navy



U.S. Marines



Naval Special Warfare



United States Customs Service



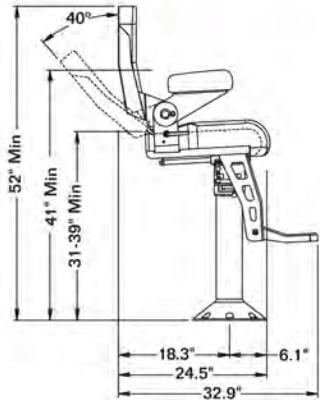
U.S. Army Corps of Engineers



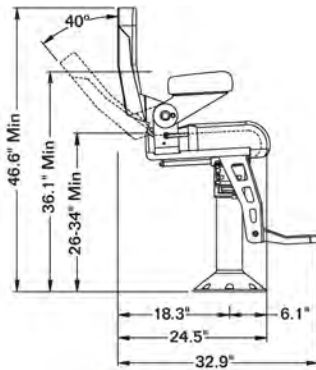
# DIMENSIONS

All dimensions are in inches. All seats are shown in full aft position.

## 500NX & 500N Low Back



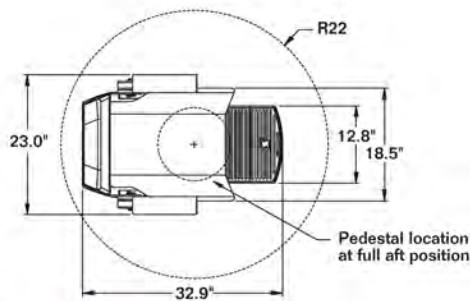
500NX-1X2 & 500N-1X2



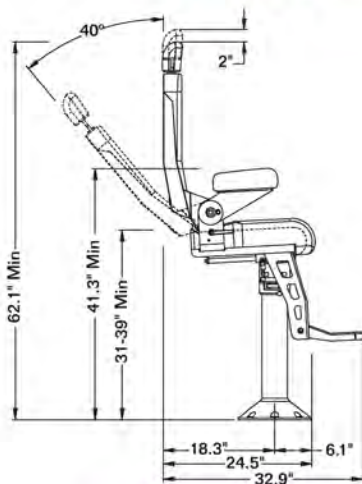
500NX-2X2 & 500N-2X2

## Series 500N

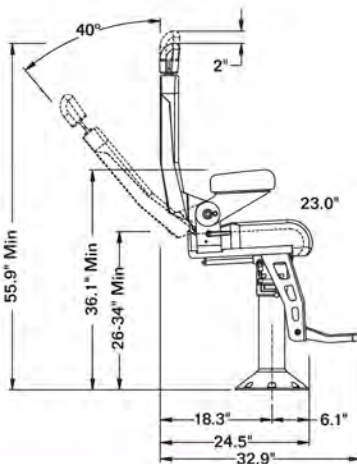
All STIDD 500N Seats are fully-equipped, including fore/aft slides, telescoping pedestal, locking swivel, X2 footrest, deck interface plate, and seat hardware...unless ordered otherwise!



## 500NHX & 500NH High Back



500NHX-1X2 & 500NH-1X2



500NHX-2X2 & 500NH-2X2

# SEATLESS in Seattle?

If you're in the Pacific Northwest, you're in "Mahler Territory". For over a decade, Keith Mahler of Mahler & Associates, Seattle WA, has been selling the finest names in marine equipment, such as Kahlenberg, Nautical Structures, Sea Recovery, Headhunter, and of course, STIDD. STIDD proudly salutes Keith Mahler for his hard work, good humor, and professional dedication to his customers' every need. Keith is why you'll never be "Seatless in Seattle". Call Keith at 206-365-3800 or email: mahler@seanet.com.



## Seatless anywhere else?

**CALL OR ORDER FACTORY DIRECT**

631-477-2400 ext 120  
email: sales@stidd.com

## Customer Service

Call 631-477-2400 ext 135  
email: customerservice@stidd.com

## Boat Show Schedule

Our boat show exhibit booth is a great place to touch what's new, talk to the seating experts, and feel the wonder of STIDD seats for yourself.

We look forward to "seating you" at:

- Miami International Boat Show
- Ft. Lauderdale Int'l Boat Show
- ... and other great shows around the globe.

## STIDD SEATS MEET OR EXCEED THE FOLLOWING SPECIFICATION STANDARDS:

- IMO HSC Code Class II
- USSOCOM MkV SOC Specifications
- MIL-STD-1472D
- Navy Shipboard Furniture Catalog Listed
- MIL-STD-1623D
- U.S. Coast Guard 47MLB Specifications
- Canadian Coast Guard MLB Specifications
- MIL-F-902J
- Mark Lavin Memorial Safety Foundation RRC/ERC Guidelines
- Det Norske Veritas
- Other classification authority approvals pending.

U.S. Patents: 5,171,063; 5,458,399; 5,463,972; Des. 336,791. Other patents issued and pending.



Canadian Coast Guard



Type Approval Certificate F-15877



ASNE



Member of the Super Yacht Society



STIDD Series 500 Seats are NMMA Certified



# Congratulations...

## You're finally ready to buy a STIDD seat!

Now, it's time to order the best marine seat in the world. Just follow these easy ordering steps and join thousands of satisfied mariners from every waypoint on the globe who have purchased STIDD Systems' fabulous Ergonomic Marine Seats:

### DECISIONS, DECISIONS...

All STIDD Seats are fully-equipped, including fore/aft slides, telescoping pedestal, locking swivel, X2 footrest, deck interface plate, and seat hardware...unless ordered otherwise!

*Remember, all STIDD Seats come fully equipped, but... you need to make 8 decisions:*

#### 1 SEAT SERIES

Series 500 full-size, Series 500N Slimline, 500W or Series 1200 Double

#### 2 SEAT BACK STYLE

Low back or High back

#### 3 SEAT FINISH\*

Standard Powdercoat or Deluxe Chrome & Stainless

#### 4 SEAT UPHOLSTERY\*\*

Vinyl (Naugahyde), Polyurethane (UltraLeather), Factory Supplied Leather or COM (Customer's Own Material)

#### 5 PEDESTAL STYLE

Telescoping, Surface Mount, or Deck Penetrating

#### 6 TELESCOPING SEAT HEIGHT RANGE\*\*\*

Tall [1] = 31-39" SHR,  
Medium [2] = 26-34" SHR, or  
Low [3] = 19-23" SHR

#### 7 SEAT ADJUSTMENT

Manual or Power

#### 8 SEAT OPTIONS

Cupholder, Chart pocket, Teak trim, Sportfish backrest, Armrest Enclosures, Covers, etc.

If you have additional questions or require a color chart, please call us at

**631-477-2400 x120**

or email [sales@stidd.com](mailto:sales@stidd.com) and our top-notch team of seat experts will assist you.

\* Keep in mind that no matter which level of finish you choose, some or all of the seat frame components and pedestal will be powdercoated to match your upholstery color. Even on the Deluxe Chrome seats, some frame parts are powdercoated to coordinate with your fabric color selection.

\*\* Your upholstery fabric and color selections do not have to be fully decided before ordering, since you normally have a few weeks to finalize while your order enters the production cycle.

\*\*\* All pedestals are telescoping (either manual or motorized) with an 8-inch range of adjustment. The "seat height range" (SHR) is a phrase used to help you determine which pedestal to select. The initial seat height is measured from the deck to the surface of the seat cushion where your butt hits the seat in the lowest (down) position. NOTE: Selecting the proper pedestal is one of the most important aspects of your new seat order. Pedestals are complex mechanical assemblies and cannot be "cut down" (like other manufacturers' seats) if you choose the wrong size. Your pedestal decision does not have to be made before ordering (you normally have a few weeks to finalize while your order enters the production cycle), but please try to measure and plan your installation carefully.

ORDER ON-LINE at:  
**www.stidd.com**

### THE MOMENT OF TRUTH:

#### STEP 1: SELECT A SEAT SERIES

- SERIES 500
- SERIES 500N SLIMLINE
- SERIES 500W (Low Back Only)
- SERIES 1200 DOUBLE BENCH SEAT

#### STEP 2: SELECT SEAT BACK STYLE

- LOW BACK
- HIGH BACK

#### STEP 3: SELECT FINISH

- DELUXE CHROME & STAINLESS
- POWDERCOATED

#### STEP 4: SELECT UPHOLSTERY

- VINYL (Naugahyde)
- POLYURETHANE (UltraLeather)
- FACTORY SUPPLIED LEATHER
- C.O.M. (Customer's Own Material)

#### STEP 5: SELECT SEAT HEIGHT RANGE

- (-1) Standard...31" to 39" seat height range
- (-2) Medium.....26" to 34"
- (-3) Low.....19" to 23"
- Surface Mount 9" fixed seat height
- Direct Couple...6" fixed seat height
- Deck Penetrating (Consult Factory)
- Shock Mitigating (Consult Factory)

#### STEP 6: SELECT ADJUSTMENT

- MANUAL
- POWER (12VDC/20A Standard, 24VDC/10A Optional)

#### STEP 7: SELECT SEAT OPTIONS

- Sportfish Bright Teak Trim Group
- Armrest Control/Trackball Enclosure
- Piping on Cushion Set (510-124)
- Fitted Protective Cover (510-106)
- Cup Holder/Accessory Tray (510-199)
- Chart Pocket (510-108)
- Additional matching UltraLeather \_\_\_\_\_ # of yards. (510-112)
- CRES Seat Belt (510-110)
- Other \_\_\_\_\_

#### STEP 8: SHIPPING METHOD

- UPS GROUND
- UPS 3rd DAY
- UPS 2nd DAY AIR
- UPS NEXT DAY AIR
- INTERNATIONAL ECONOMY

#### STEP 9: METHOD OF PAYMENT

(payment required with order)

- Credit Card  Check
- Wire Transfer (call to request R/T number)

#### STEP 10: PLACE YOUR ORDER!

(Call now to get the best delivery)

Call: 631-477-2400 ext.120  
Fax: 631-477-1095  
email: [sales@stidd.com](mailto:sales@stidd.com)

## ORDERING INFORMATION & PAYMENT TERMS:

Please note our payment terms: PAYMENT IN FULL is required for ALL ACCOUNTS before your order is entered into production. All prices are in U.S. Dollars, payable via credit card (Visa, MasterCard, American Express, Diner's Club, or Discover), check or wire transfer.

International Orders: Prepayment in full in U.S. dollars via credit card, check or wire transfer.

U.S. & Canada Shipping: All prices are F.O.B. Greenport, NY, USA (Customer pays all shipping charges), via UPS Ground.

International Shipping: Via Federal Express, UPS, Airways Freight, or per customer's instructions. All shipping charges, duties, forwarding, taxes, etc., paid by customer or collect.



Enjoying your STIDD seat is easier than ever thanks to the miracle of modern plastic. We gladly accept all major credit cards, for your convenience and to speed your order on its way.

## CUSTOMER SERVICE & SUPPORT

Last but not least, the only product we actually sell at STIDD Systems is Customer Satisfaction. This means that Customer Service and Support is our highest priority. More than just words on a page, STIDD's unparalleled Customer Service means prompt personal attention to your every need. Every member of our staff helps to make your STIDD Seat experience totally satisfying. We look forward to welcoming you aboard for years of style, safety, and comfort at sea.

email: [CustomerService@stidd.com](mailto:CustomerService@stidd.com)



### STIDD Systems, Inc.

P.O. Box 87 • 220 Carpenter Street  
Greenport, New York 11944  
Phone: 631-477-2400 • Fax 631-477-1095

**www.stidd.com**

Prices, specifications and availability of all STIDD Systems, Inc. products are subject to change without notice.



REV 9/12

MADE IN USA