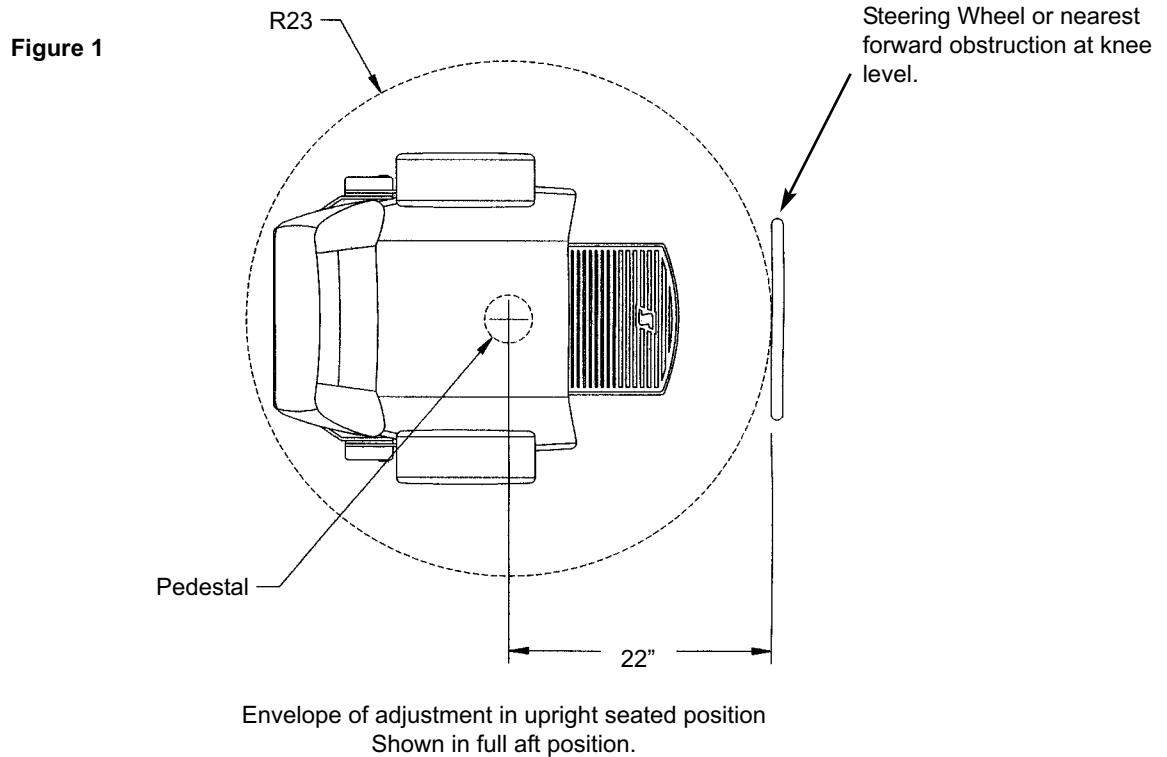


2. Placement Planning:

See Figure 1 for the envelope of adjustment in the upright seated position. The center of the deck plate is normally mounted 22" aft of the nearest knee level obstruction (i.e. steering wheel or bulkhead).



3. Mount Deck Plate: (see Figures 1 & 2)

Remove the pedestal assembly and deck plate from the box. Determine the correct mounting location and provide suitable foundation. The deck plate must first be positioned and properly through bolted to the deck. Install the Deck Plate with the arrow FACING FORWARD.

The front and rear 5/16" tapped holes should create a line parallel to the center line of the boat.

For 9-inch diameter base pedestals (M-style) see page 13.