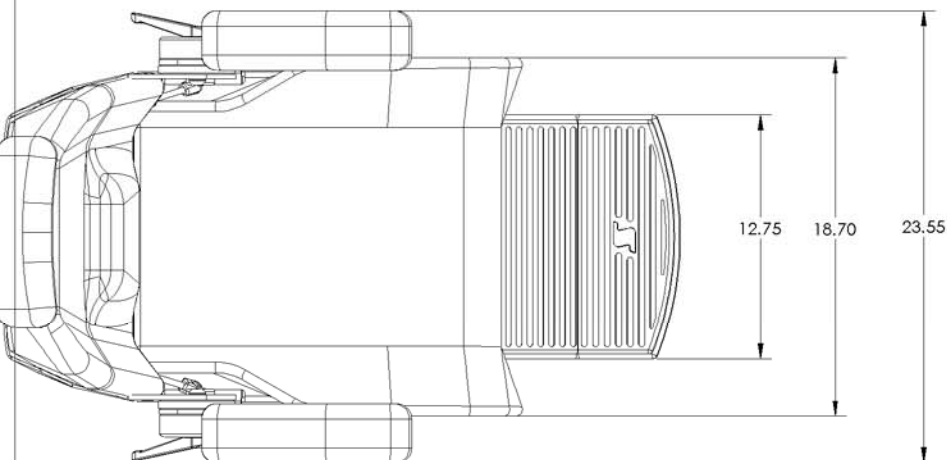


All information contained in this document is property of STIDD Systems, Inc. and shall not be released, performed, displayed, duplicated, used, or disclosed, in whole or in part, for any purpose other than to evaluate a product of STIDD Systems, Inc. No rights are conveyed to the recipient or any other party to use any intellectual property contained in this document in any manner. All recipients shall protect all information in this document as prescribed by DFARS 252.227-7016. The information subject to this restriction is contained in every page of this document.

REVISIONS				
ZONE	REV.	DESCRIPTION	DATE	APPROVED
-	-	INITIAL RELEASE	2/9/2006	A BONCZYK



500NH-2X2 SPECIFICATIONS:

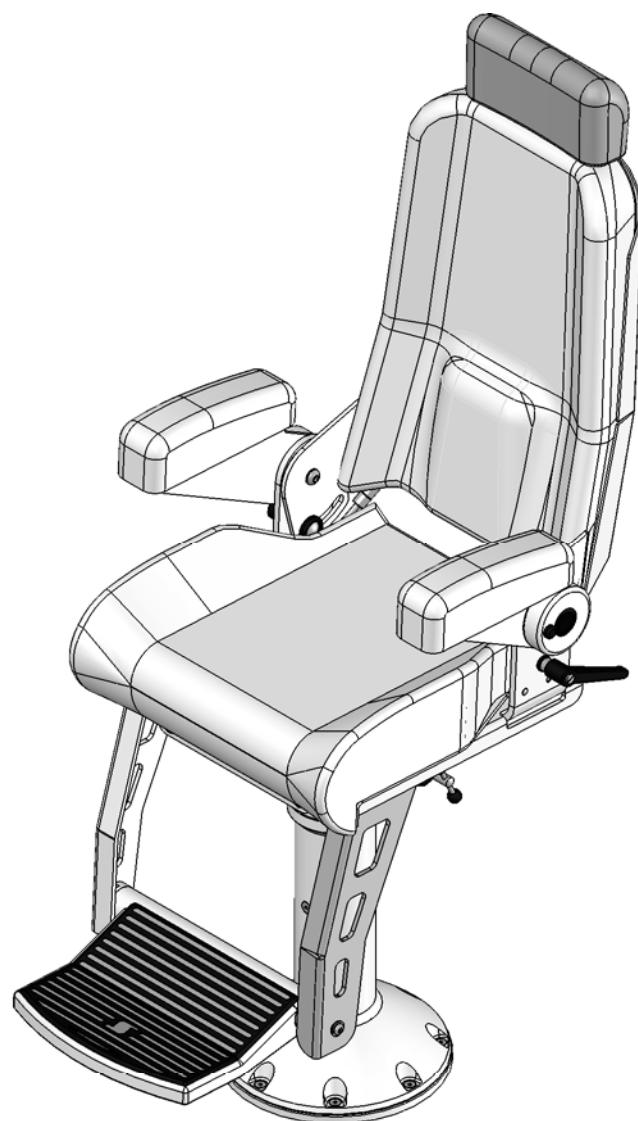
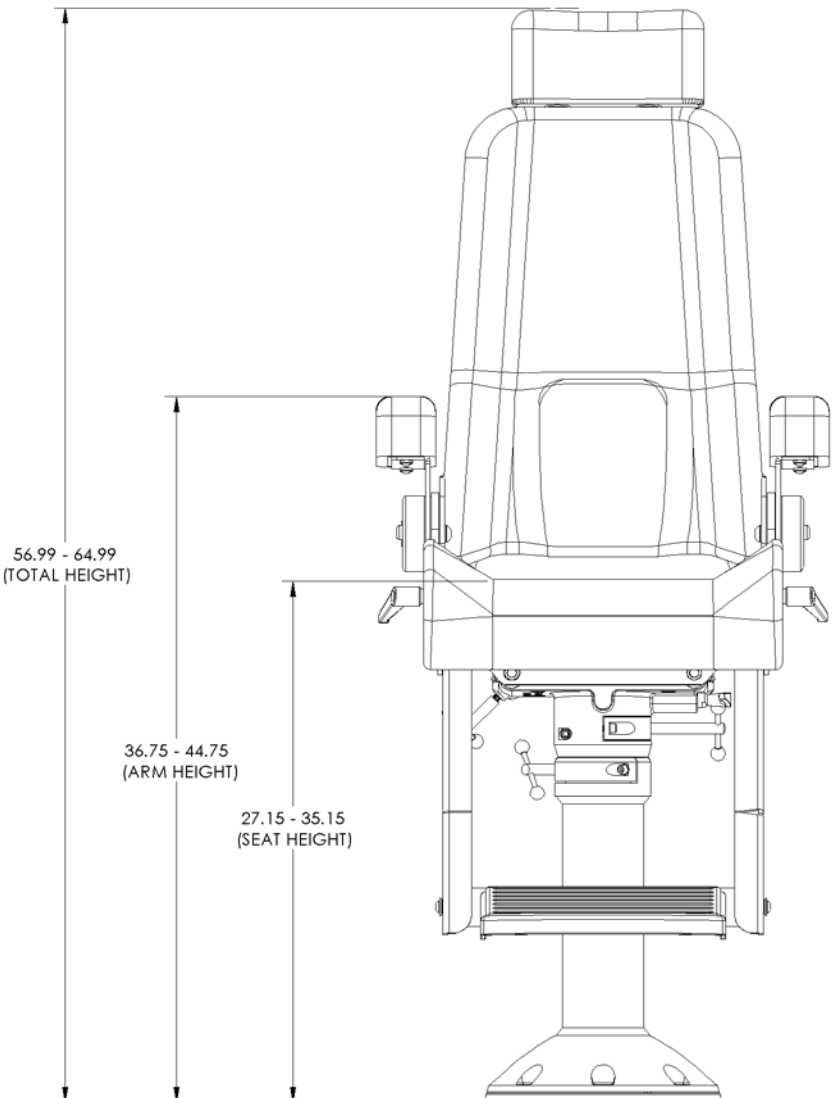
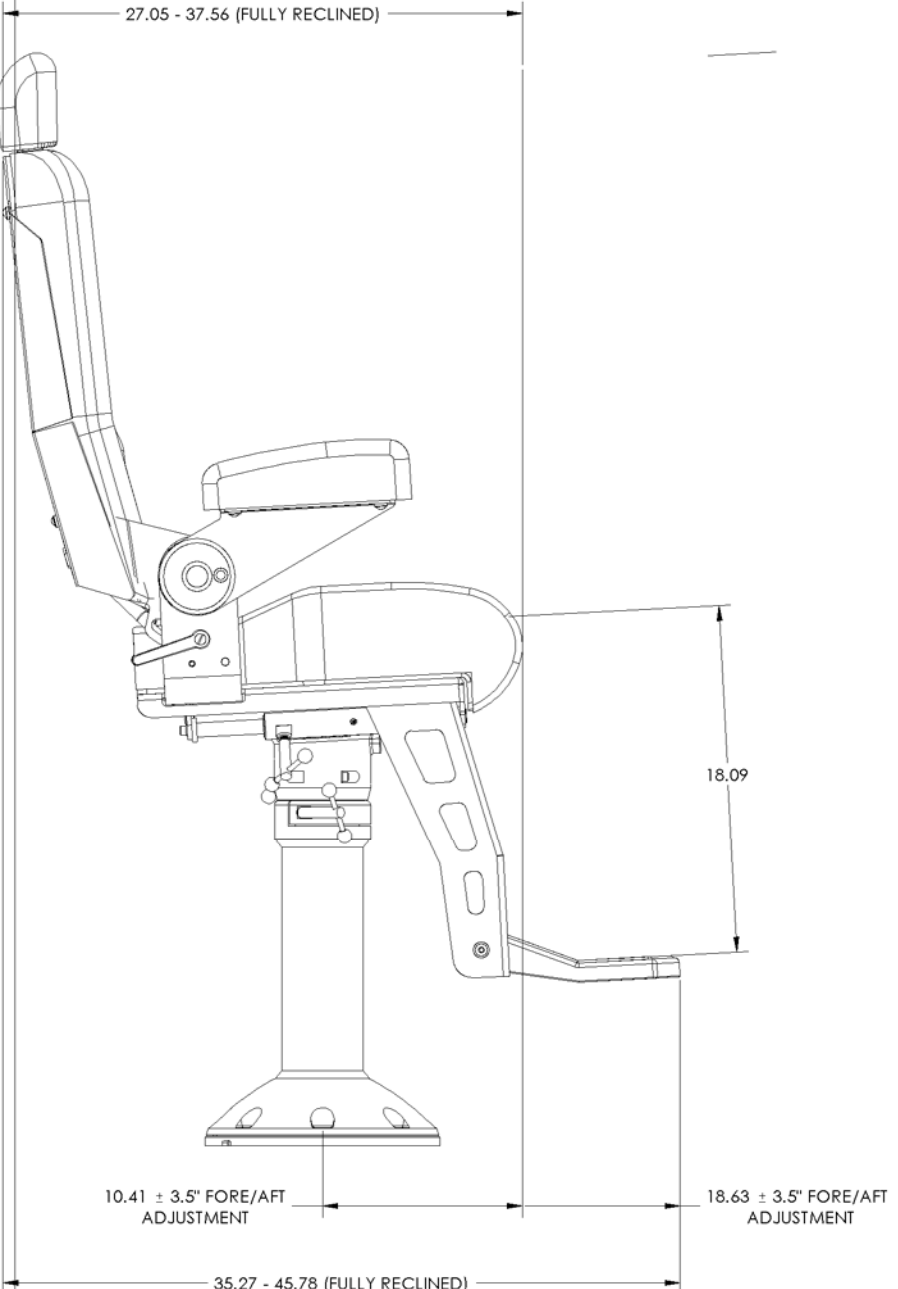
MOUNTING INFORMATION

- DECK PLATE MOUNTING DIMENSIONS
- DECK PLATE TO VESSEL: EIGHT 3/8" DIA. BOLTS ON 11" DIA BOLT CIRCLE
- DECK PLATE TO PEDESTAL: EIGHT 5/16-18 FLAT, SOCKET HEAD BOLTS ON 11" BOLT CIRCLE

SEAT FEATURES

- TOTAL OF 8 INCHES FORE-AFT ADJUSTMENT
- TOTAL OF 8 INCHES HEIGHT ADJUSTMENT
- FULLY-RECLINING BACKREST
- FOLDING FOOTREST/ARMRESTS (LOCKING FEATURE ON ARMS)
- 360 DEGREE FREE SWIVELING PEDESTAL

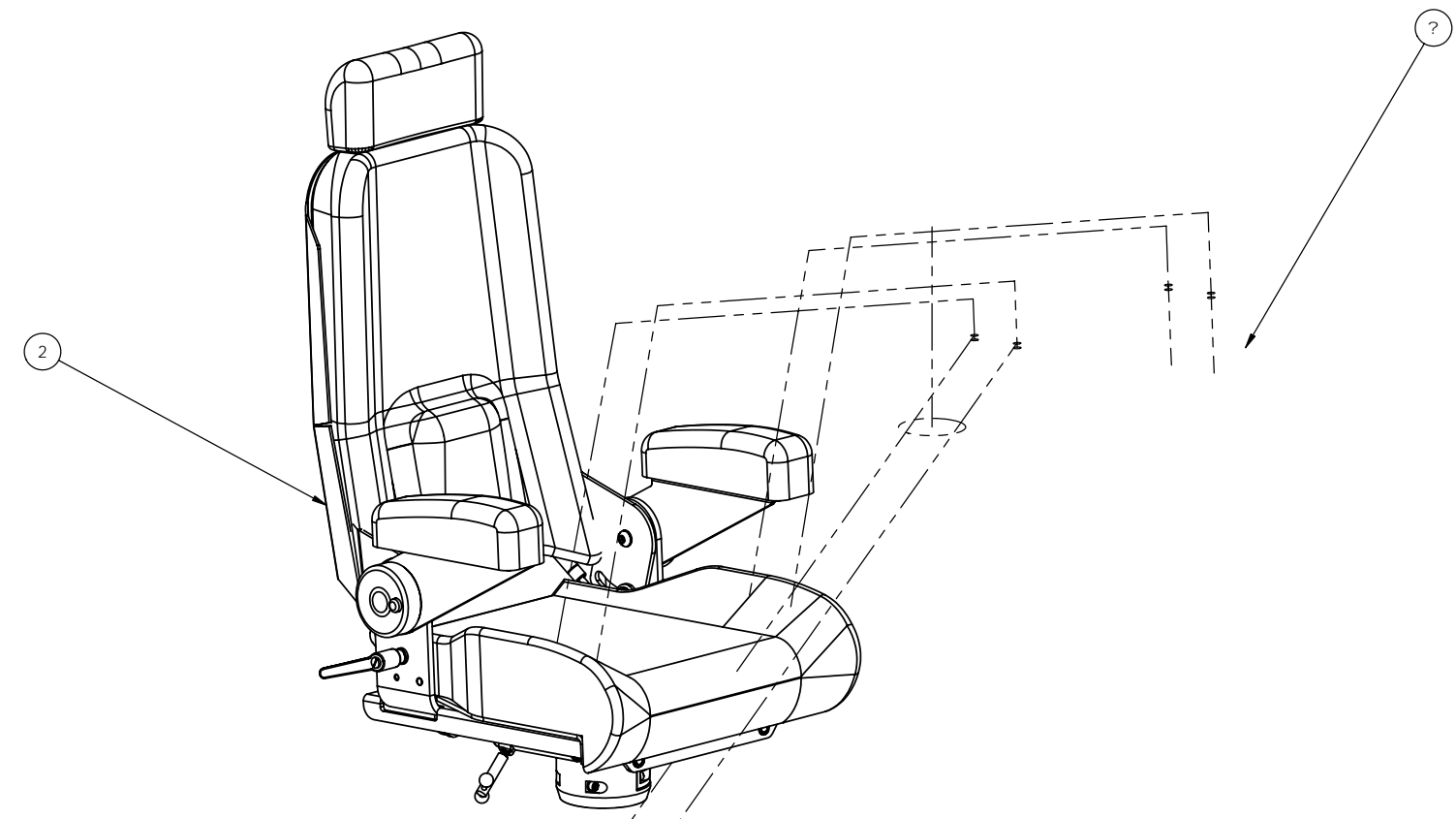
NOTE: DRAWING IS SHOWN WITH A MEDIUM (-2) PEDESTAL



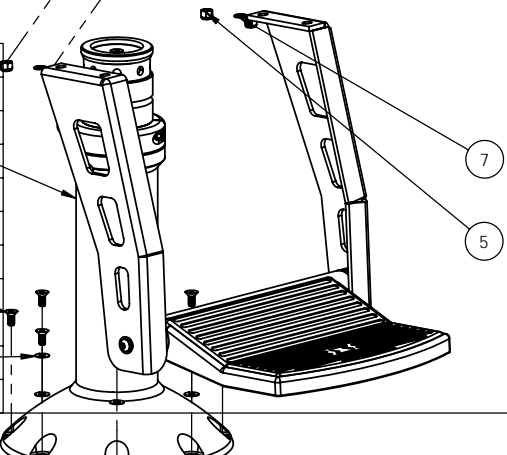
NAME A BONCZYK	DATE 5/10/2006		STIDD SYSTEMS INC. 220 CARPENTER STREET GREENPORT, NY 11944 USA · (631) 477-2400		
UNLESS OTHERWISE SPECIFIED:			TITLE 500 NARROW HIGHBACK SEAT, TALL PEDESTAL, X2 FOOTREST		
· INTERPRET DWG IAW ANSI Y14.5M · DIMENSIONS ARE IN INCHES · BREAK ALL SHARP EDGES · DRAWING TOLERANCES ARE: * ANGLES : 1° * 0.XX : 0.01 * 0.XXX : 0.005			THIRD ANGLE PROJECTION		
MATERIAL	N/A	SIZE D	CAGE CODE 0W5E3	DWG No. 500NH-1X2	REV -
WEIGHT (lbs)	89.72	DO NOT SCALE DRAWING WORK FROM DIMENSIONS		SCALE: 1:5	SHEET 1 OF 2


All information contained in this document is property of STIDD Systems, Inc. and shall not be released, performed, displayed, duplicated, used, or disclosed, in whole or in part, for any purpose other than to evaluate a product of STIDD Systems, Inc. No rights are conveyed to the recipient or any other party to use any intellectual property contained in this document in any manner. All recipients shall protect all information in this document as prescribed by DFARS 252.227-7016. The information subject to this restriction is contained in every page of this document.

REVISIONS				
ZONE	REV.	DESCRIPTION	DATE	APPROVED
-	-	See Sheet1	-	-



BOM			
ITEM	PART NUMBER	DESCRIPTION	Default/QT.Y.
1	510-1100-2	MEDIUM (-2) PEDESTAL ASSEMBLY	1
2	500-NH-NPNF	500NH SEAT ASSEMBLY	1
3	510-1-172	12" DECKPLATE ASSEMBLY KIT	1
4	510-1100-G	12" PEDESTAL ISOLATION GASKET	1
5	V04/37CNNES	3/8-16 NYLOCK NUT, SS	4
6	580-1-010	X2 FOOTREST ASSEMBLY - NARROW	1
7	V02/390x625x060	.390" X .625" X .060" WASHER, SS	4
8	V03/312x751x031	.318 X .751 X .031 FLAT WASHER, NYLON	7
9	V01/031C075SHFH	5/16-18 X .750" SOCKET HEAD FLAT HEAD, SS	8



NAME A BONCZYK	DATE 5/10/2006	 STIDD SYSTEMS INC. 220 CARPENTER STREET GREENPORT, NY 11944 USA · (631) 477-2400	TITLE 500N NARROW HIGHBACK SEAT, TALL PEDESTAL, X2 FOOTREST ASSEMBLY INSTRUCTIONS		
UNLESS OTHERWISE SPECIFIED: · INTERPRET DWG IAW ANSI Y14.5M · DIMENSIONS ARE IN INCHES · BREAK ALL SHARP EDGES · DRAWING TOLERANCES ARE: * ANGLES : 1° * 0.XX : 0.01 * 0.XXX : 0.005					
MATERIAL	N/A	SIZE D	CAGE CODE 0W5E3	DWG No. 500NH-1X2	REV -
WEIGHT (lbs)	89.72	DO NOT SCALE DRAWING WORK FROM DIMENSIONS		SCALE: 1:5	SHEET 2 OF 2

D
C
B
A