

Strong, roomy and so comfortable!

500W Wide Low Back Admiral



500W WIDE

Here's the perfect seat for boat owners who need some extra room. At 36 inches wide the 500W is a full 8 inches wider than standard Series 500 models and 13 inches wider than Slimline seats. Choose from tough baked-on powdercoat or deluxe polished chrome finishes in your choice of upholstery.

500W seats are available with all Series 500 options. Choose power, piping, chrome, surface mounts or deck penetrating pedestals... no matter how you outfit it it's the best seat in the house.



AVAILABLE OPTIONS & ACCESSORIES

- Deluxe Chrome & Stainless Package
- Power Fore/Aft & Power Pedestal
- Armrest Mounted Controls
- Deck Track Systems ■ Upholstery Piping
- Cupholder/Accessory Tray
- Protective Covers ■ Teak Trim

Order factory direct:
631-477-2400 ext.120
email: sales@stidd.com

www.stidd.com



Top: Twin 500Ws with adjustable deck penetrating pedestals are standard equipment on the MJM 40Z Downeast. Photo by Billy Black - courtesy MJM Yachts.

Above: 500WX-2x2 with the Deluxe Chrome Package at the starboard helm of a 76 Nordhavn.

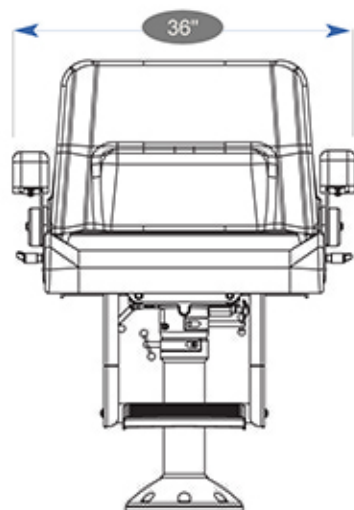
Above right: Equipped with power fore-aft and power pedestal the STIDD 500W makes getting comfortable easy! Shown here aboard a Tiara 43 Open.

Top page 19: Comfortable cruising: A surface mount 1200 double settee shown with optional piping aboard a Fleming 65. Photo courtesy Fleming Yachts.

Below: STIDD Series 1200 with low telescoping pedestals shown at the flybridge of San Juan Yachts SJ48FB. Photo by Neil Rabinowitz.

SERIES 500W

Net weight: 86 - 93 lbs.
Shipping weight: 105 - 115 lbs.
(Manual powdercoated packages)
Call for Chrome and Power weights.
Ships in complete in one box via UPS
Oversized package
40 X 38 X 24.



SERIES 500W