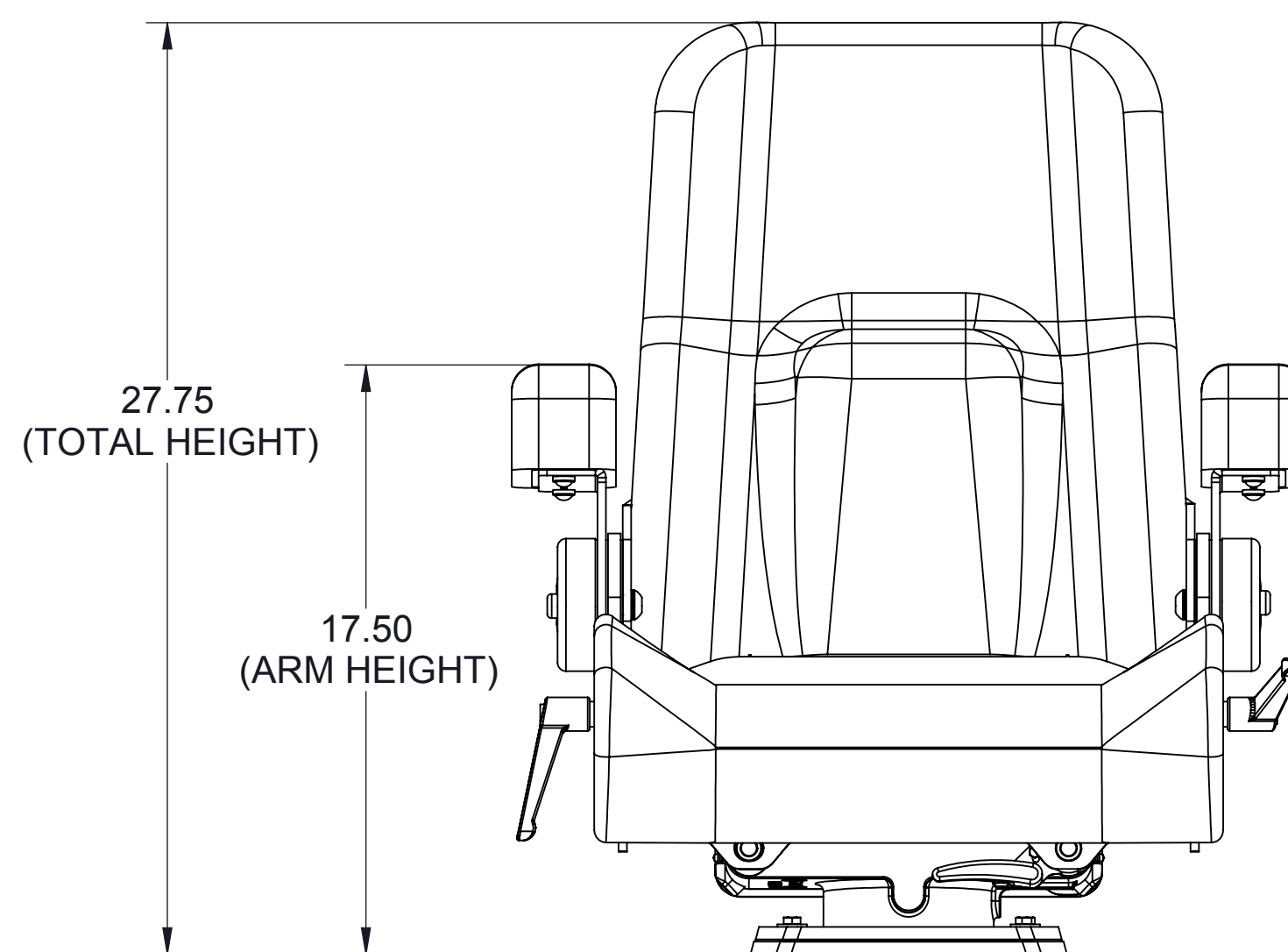
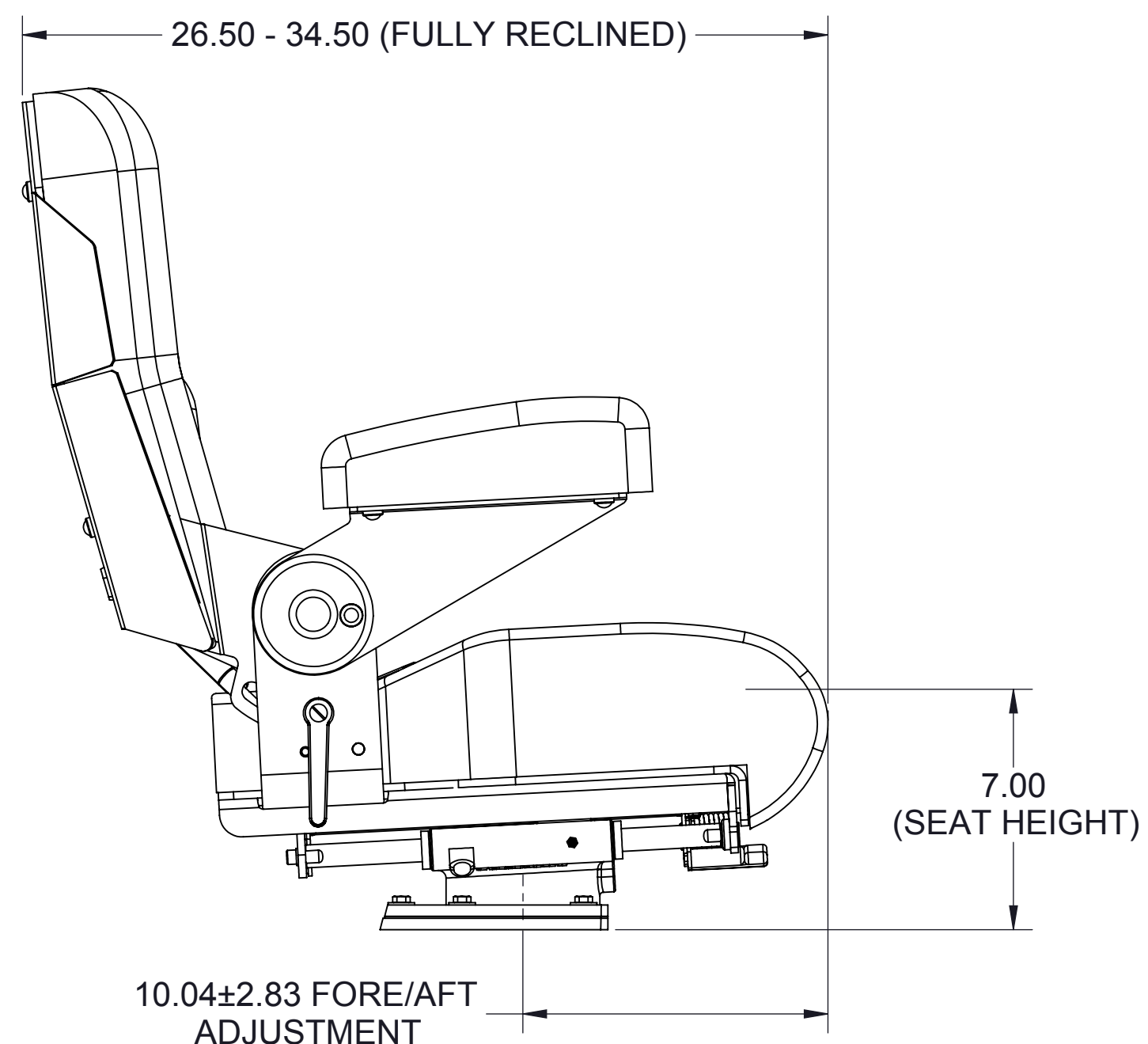
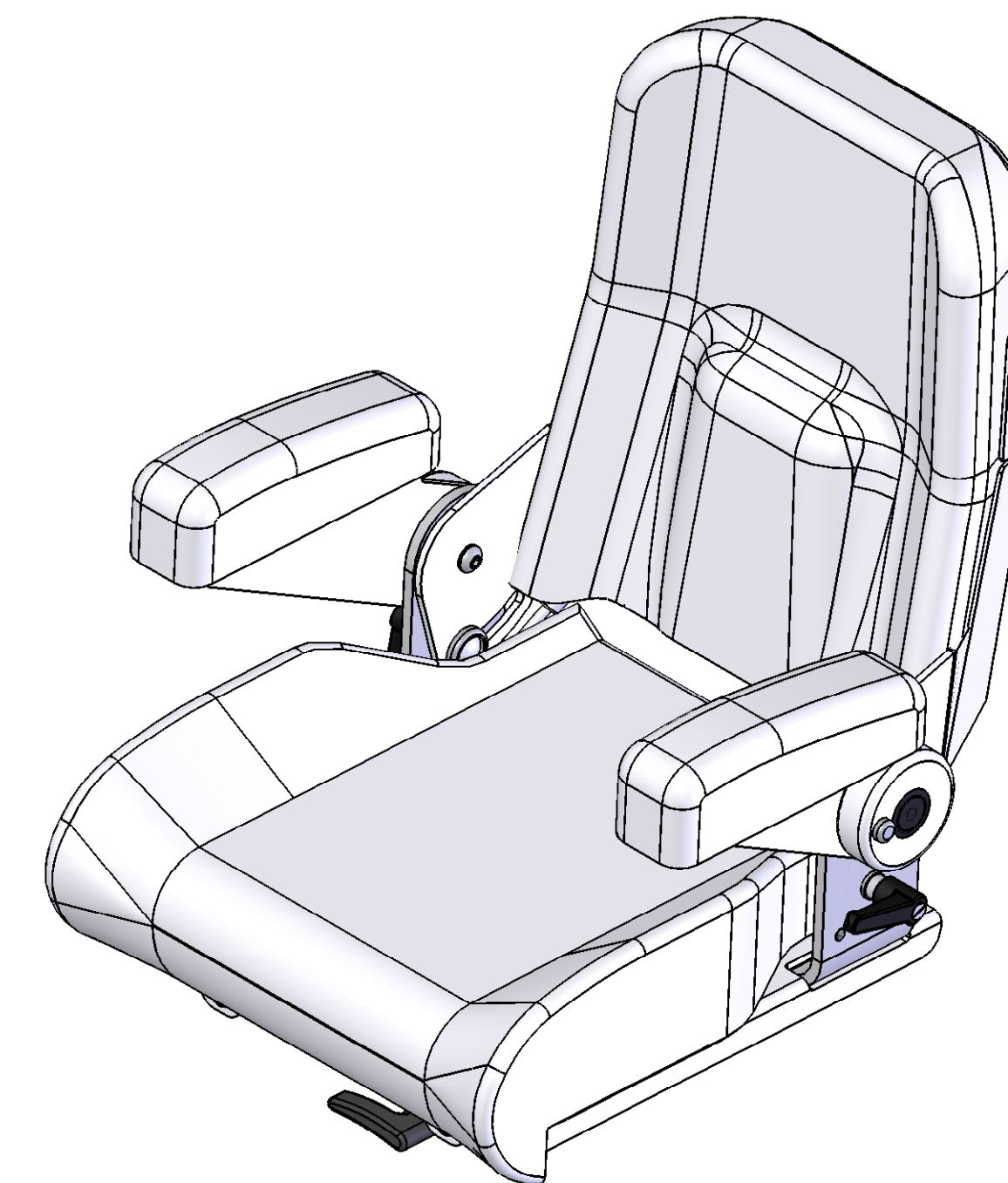
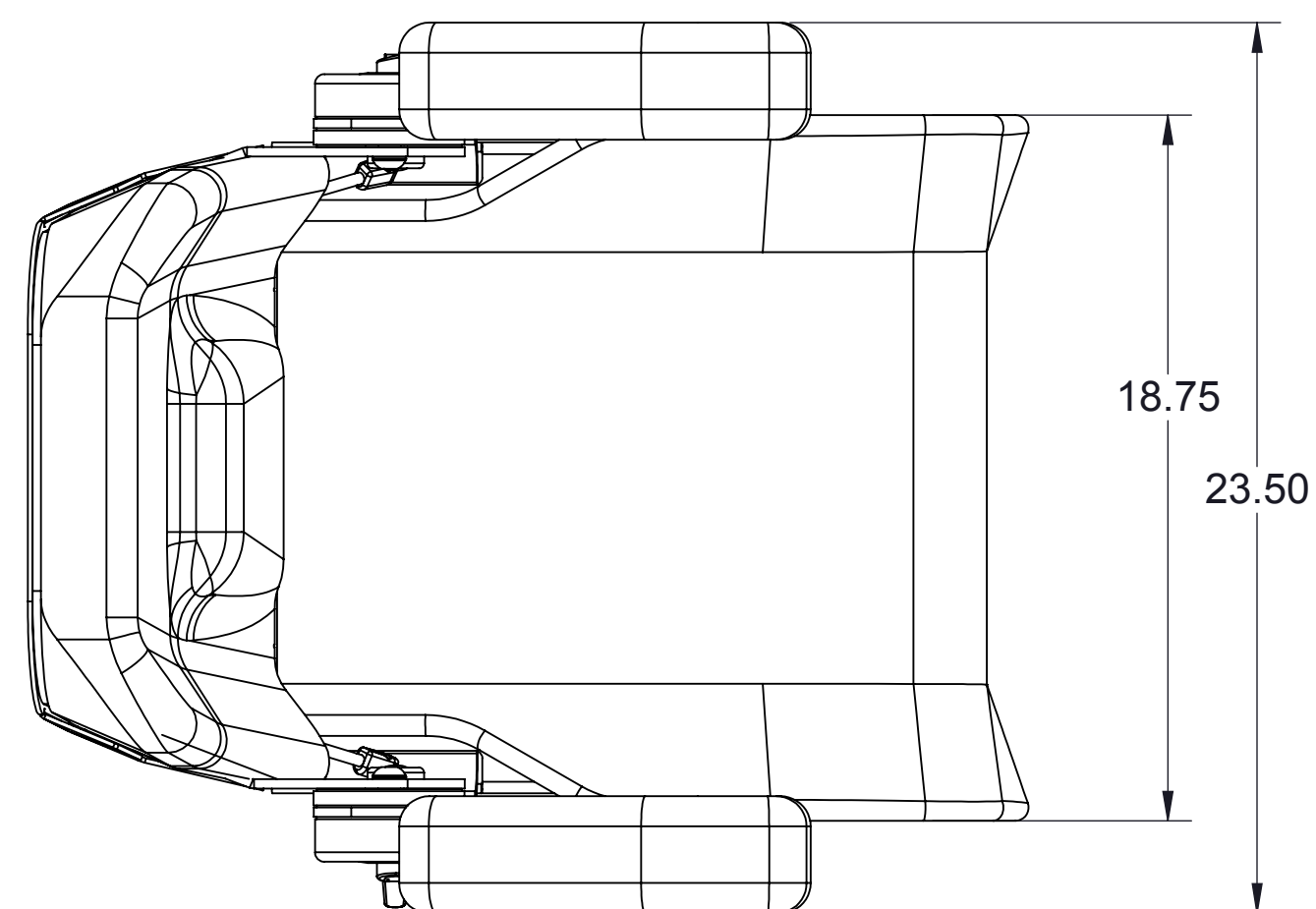



All information contained in this document is the intellectual property of STIDD Systems, Inc. and shall not be released, performed, displayed, duplicated, used, or disclosed, in whole or in part, within or outside the receiving party for any purpose other than to evaluate a document from STIDD Systems, Inc. No rights are conveyed to the receiving party or any others to use any intellectual property contained in this document in any manner. All US Government recipients shall protect all information in this document as prescribed by DFARS 252.227-7016. The information subject to this restriction is contained in every page of this document

REVISIONS				
ZONE	REV	DESCRIPTION	DATE	APPROVED
N/A	-	INITIAL RELEASE	1/7/2010	A.SCHORDINE

NOTE:
NARROW SEAT SHOWN IN ASSEMBLY



ORIGINATOR	A.SCHORDINE	DATE	1/7/2010
APPROVED	R.PERRY	DATE	1/7/2010
UNLESS OTHERWISE SPECIFIED:			
· INTERPRET DWG IAW ANSI Y14.5M			
· DIMENSIONS ARE IN INCHES			
· BREAK ALL SHARP EDGES			
· DRAWING TOLERANCES ARE:			
* ANGLES : 1°			
* 0.XX : 0.01			
* 0.XXX : 0.005			
		THIRD ANGLE PROJECTION	
MATERIAL	N/A	SIZE	D
WEIGHT (lbs)	48.19	CAGE CODE	0W5E3



STIDD SYSTEMS INC.
220 CARPENTER STREET
GREENPORT, NY 11944
USA · (631) 477-2400

TITLE FORE-AFT TRAVEL FLUSH MOUNT SEAT			
SIZE	CAGE CODE	DWG No.	REV
D	0W5E3	PHANTOM	-
DO NOT SCALE DRAWING WORK FROM DIMENSIONS		SCALE: 1:5	SHEET 1 OF 2

D
C
B
A