

All information contained in this document is the intellectual property of STIDD Systems, Inc. and shall not be released, performed, displayed, duplicated, used, or disclosed, in whole or in part, within or outside the receiving party for any purpose other than to evaluate a document from STIDD Systems, Inc. No rights are conveyed to the receiving party or any others to use any intellectual property contained in this document in any manner. All US Government recipients shall protect all information in this document as prescribed by DFARS 252.227-7016. The information subject to this restriction is contained in every page of this document.
WARNING: This document may contain technical data subject to the United States Code of Federal Regulations Chapter 22, International Traffic in Arms Regulations (ITAR). The information herein shall not be exported or made available to any party other than the designated recipient without the express written permission of STIDD Systems, Inc. Violations of these export laws are subject to severe criminal penalties.

REVISIONS					
ZONE	REV.	CLASS	DESCRIPTION	DATE	APPROVED
N/A	-	N/A	INITIAL RELEASE	2/9/2006	R.KOCH
N/A	-1	N/A	UPDATED DOCUMENTATION FORMAT	3/2/2012	A.SCHORDINE

500-200-2X2 SPECIFICATIONS:

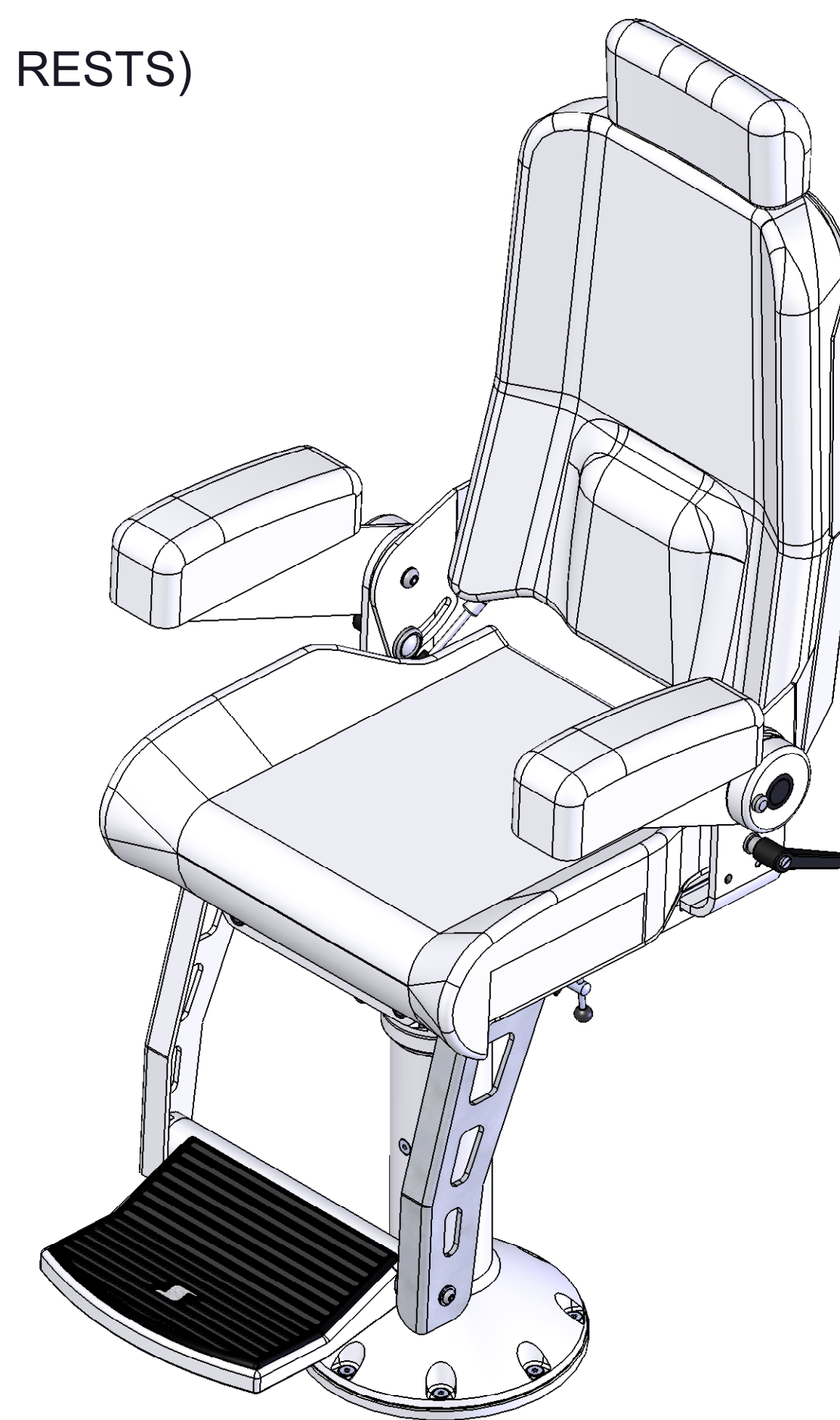
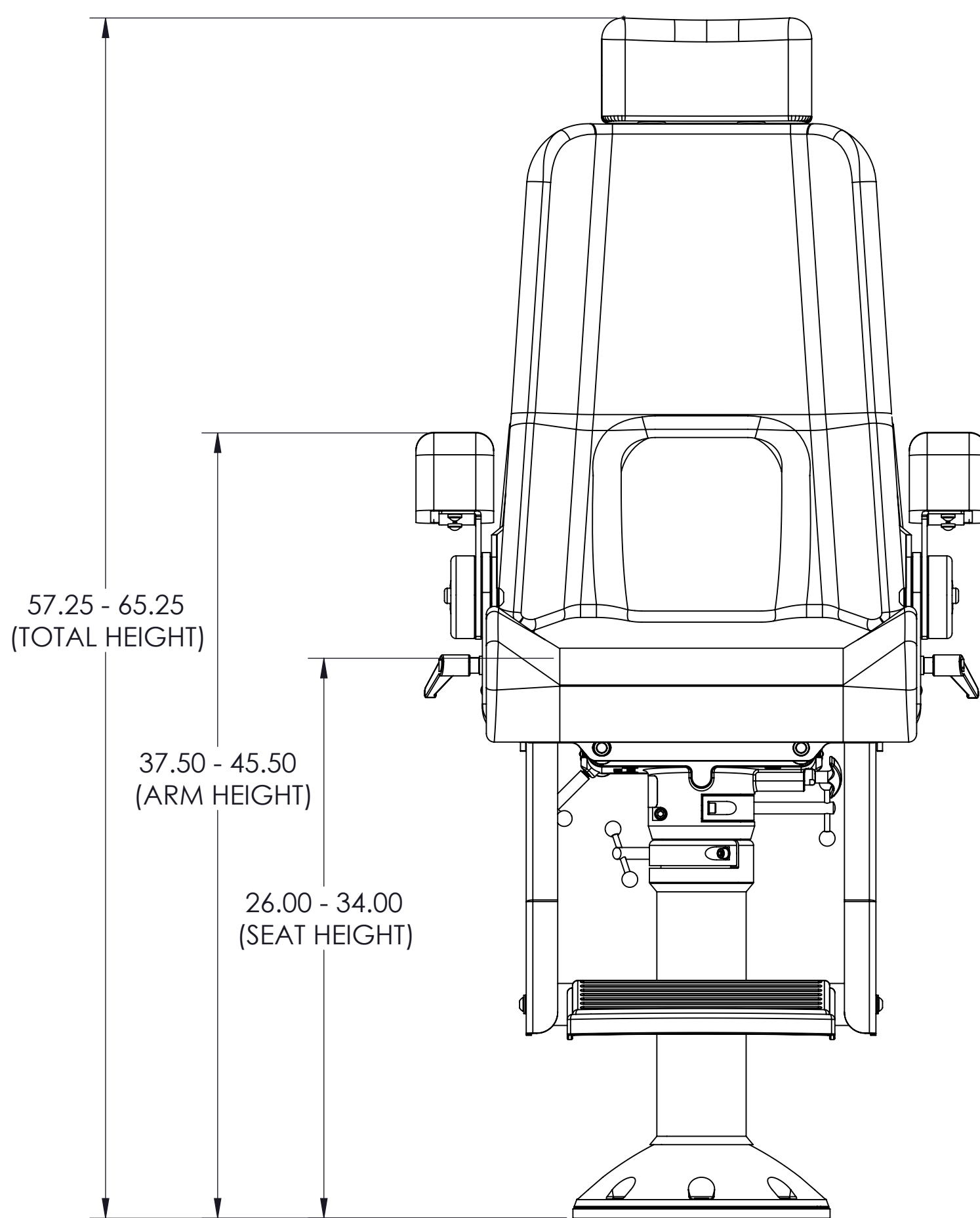
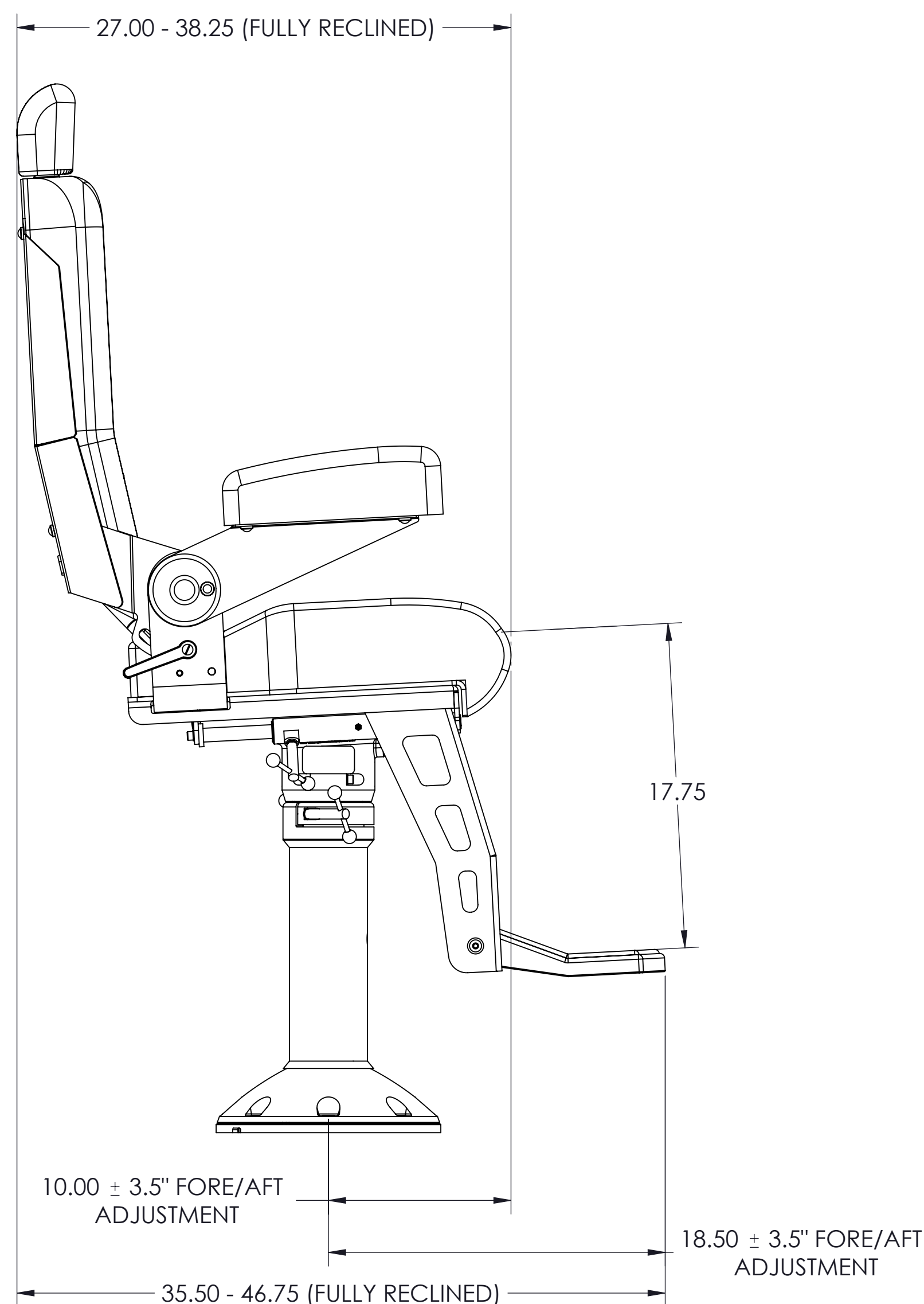
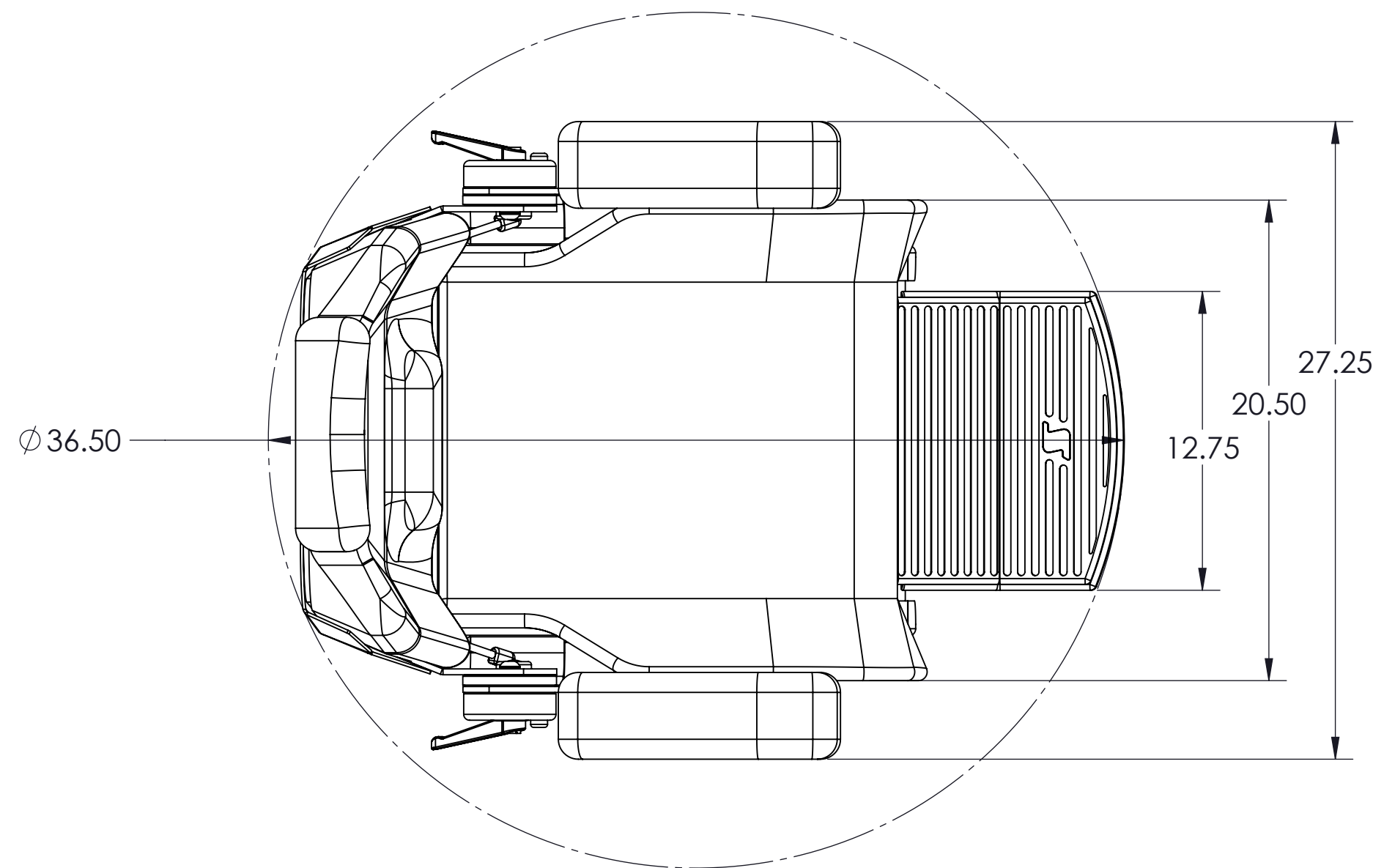
MOUNTING INFORMATION

- DECK PLATE MOUNTING DIMENSIONS
- DECK PLATE TO VESSEL: EIGHT 3/8" DIA. BOLTS ON 11" DIA BOLT CIRCLE
- DECK PLATE TO PEDESTAL: EIGHT 5/16-18 FLAT, SOCKET HEAD BOLTS ON 11" BOLT CIRCLE

SEAT FEATURES

- TOTAL OF 7 INCHES FORE-AFT ADJUSTMENT
- TOTAL OF 8 INCHES HEIGHT ADJUSTMENT
- FULLY-ADJUSTABLE RECLINING BACKREST UP TO 35 DEGREES
- FOLDING FOOTREST / ARM RESTS (LOCKING FEATURE ON ARM RESTS)
- 360 DEGREE ADJUSTABLE SWIVEL PEDESTAL

NOTE: DRAWING IS SHOWN WITH A MEDIUM (-2) PEDESTAL



ORIGINATOR	R. KOCH	DATE	2/9/2006
APPROVED	R.DIGREGORIO	DATE	2/9/2006
UNLESS OTHERWISE SPECIFIED:			
· INTERPRET DWG IAW ANSI Y14.5M · DIMENSIONS ARE IN INCHES · BREAK ALL SHARP EDGES · DRAWING TOLERANCES ARE: * ANGLES : 1° * 0.XX : 0.01 * 0.XXX : 0.005			
MATERIAL	N/A	THIRD ANGLE PROJECTION	
WEIGHT (lbs)	80.23		



STIDD SYSTEMS INC.
 220 CARPENTER STREET
 GREENPORT, NY 11944
 USA · (631) 477-2400

TITLE			
500 HIGHBACK, MED PEDESTAL, X2 FOOTREST			
SIZE	CAGE CODE	DWG No.	REV
D	0W5E3	500-100-2X2	-1
DO NOT SCALE DRAWING WORK FROM DIMENSIONS		SCALE: 1:6	SHEET 1 OF 1

D
C
B
A