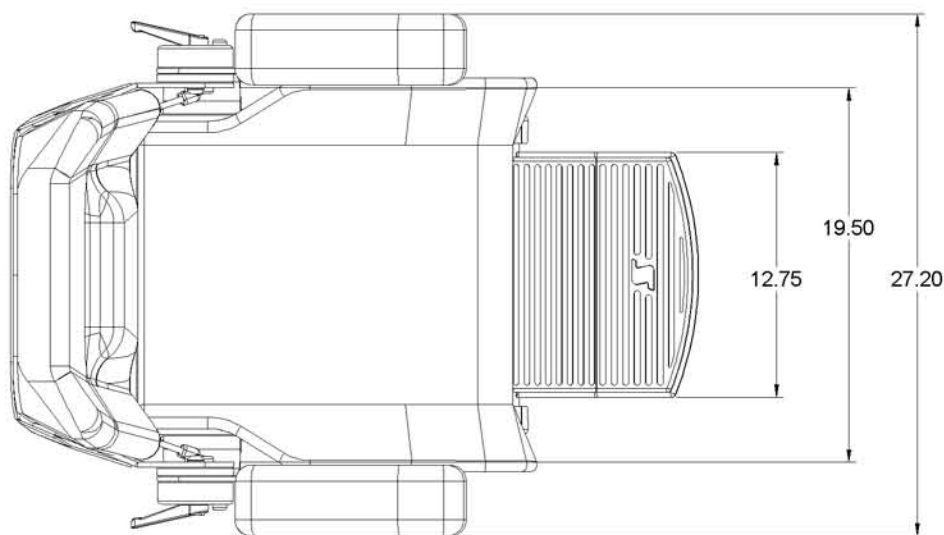


All information contained in this document is property of STIDD Systems, Inc. and shall not be released, performed, displayed, duplicated, used, or disclosed, in whole or in part, for any purpose other than to evaluate a product of STIDD Systems, Inc. No rights are conveyed to the recipient or any other party to use any intellectual property contained in this document in any manner. All recipients shall protect all information in this document as prescribed by DFARS 252.227-7016. The information subject to this restriction is contained in every page of this document.

REVISIONS				
ZONE	REV.	DESCRIPTION	DATE	APPROVED
-	-	INITIAL RELEASE	2/8/2006	A BONCZYK



500-200-2X2 SPECIFICATIONS:

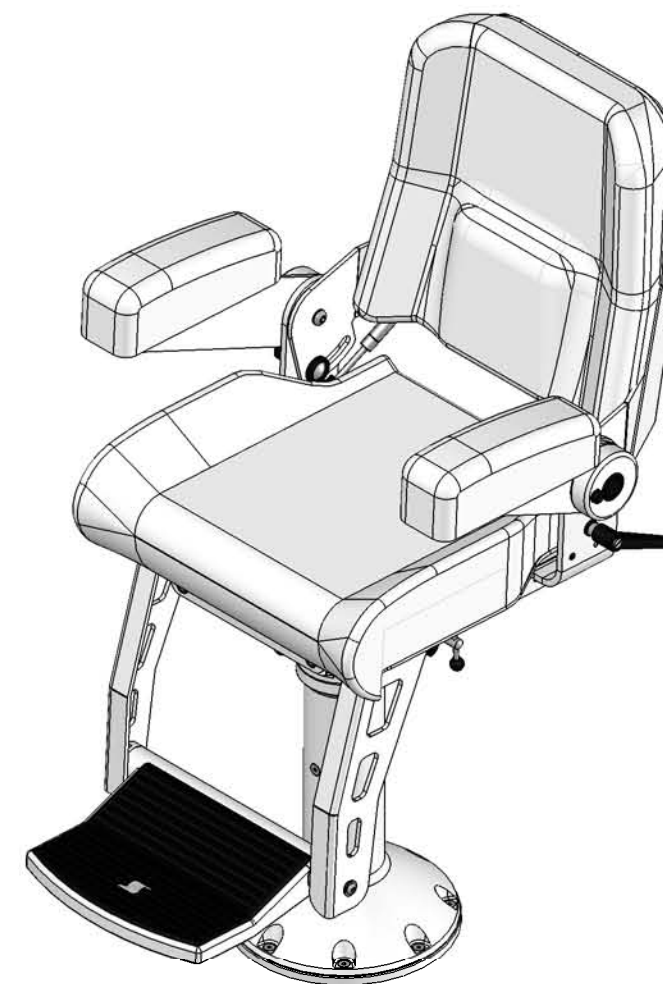
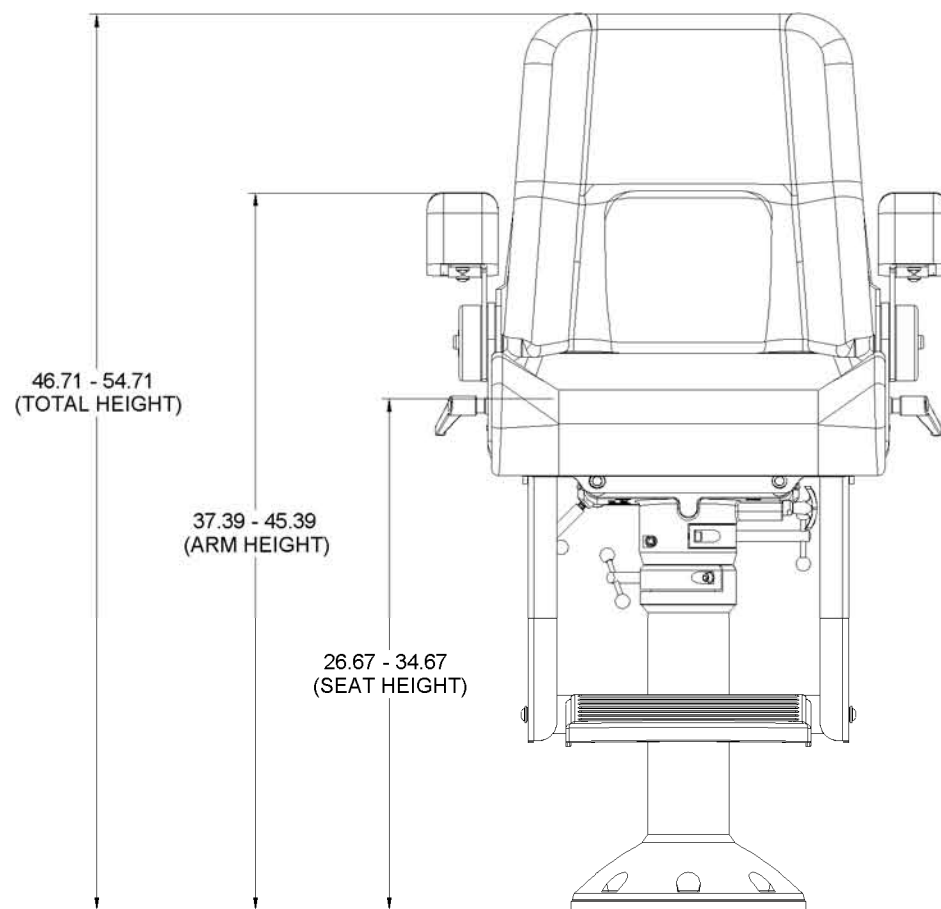
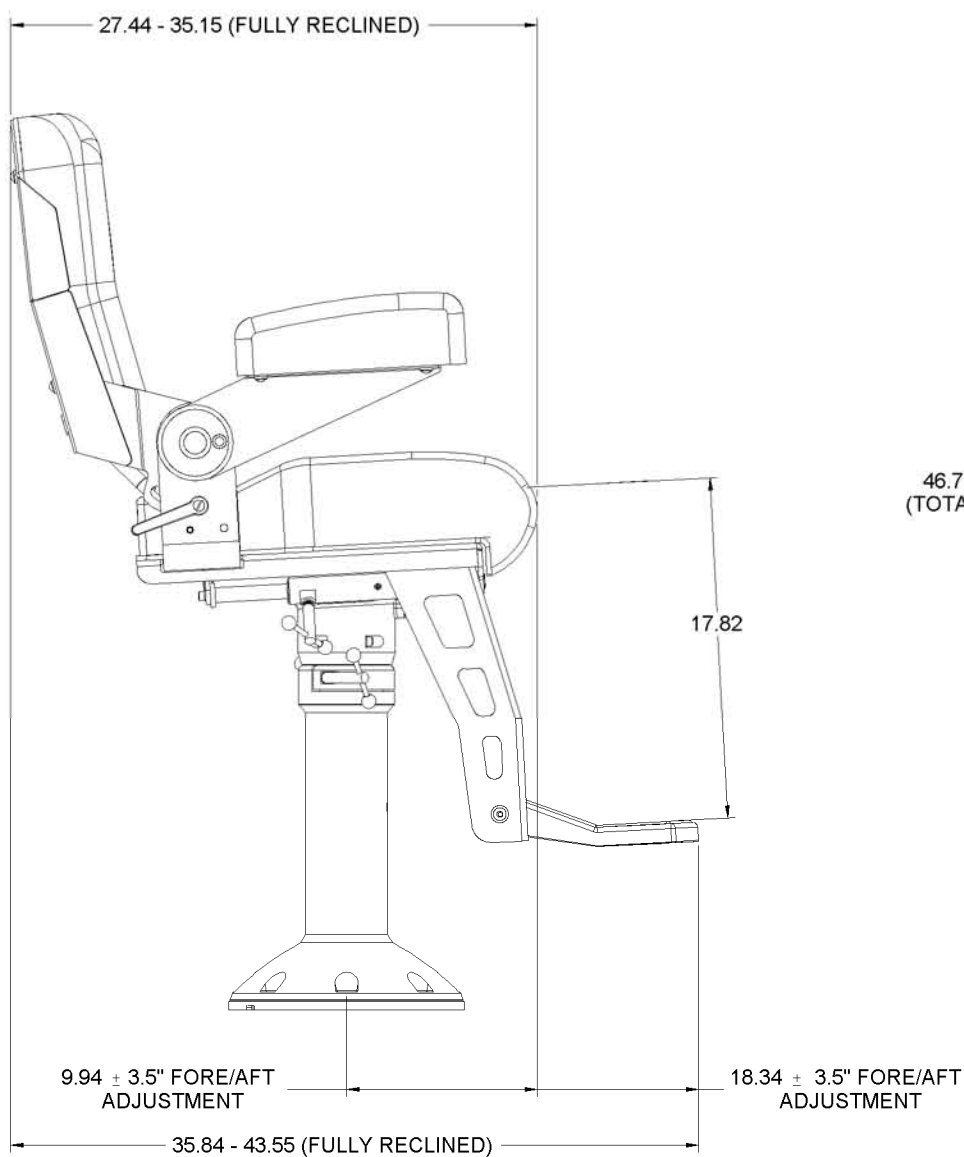
MOUNTING INFORMATION

- DECK PLATE MOUNTING DIMENSIONS:
- DECK PLATE TO VESSEL: EIGHT 3/8" DIA. BOLTS ON 11" DIA BOLT CIRCLE
- DECK PLATE TO PEDESTAL: EIGHT 5/16-18 FLAT, SOCKET HEAD BOLTS ON 11" BOLT CIRCLE

SEAT FEATURES

- TOTAL OF 8" FORE-AFT ADJUSTMENT
- TOTAL OF 8" HEIGHT ADJUSTMENT
- FULLY RECLINEABLE BACKREST UP TO 40 DEGREES
- FOLDING FOOTREST/ARM RESTS (LOCKING FEATURE ON ARM RESTS)
- 360 DEGREE SWIVEL PEDESTAL

NOTE: DRAWING IS SHOWN WITH A MEDIUM (-2) PEDESTAL



NAME	R. KOCH	DATE	2/16/2006
UNLESS OTHERWISE SPECIFIED:			
• INTERPRET DWG IAW ANSI Y14.5M			
• DIMENSIONS ARE IN INCHES			
• BREAK ALL SHARP EDGES			
• DRAWING TOLERANCES ARE:			
* ANGLES : 1°			
* 0.XX : 0.01			
* 0.XXX : 0.005			
MATERIAL	N/A	THIRD ANGLE PROJECTION	
WEIGHT (lbs)	77.17		



STIDD SYSTEMS INC.
220 CARPENTER STREET
GREENPORT, NY 11944
USA · (631) 477-2400

TITLE
500 LOWBACK, MED PEDESTAL, X2 FOOTREST

SIZE	CAGE CODE	DWG No.	REV
D	0W5E3	500-200-2X2	-
DO NOT SCALE DRAWING WORK FROM DIMENSIONS		SCALE: 1:5	SHEET 1 OF 2

D

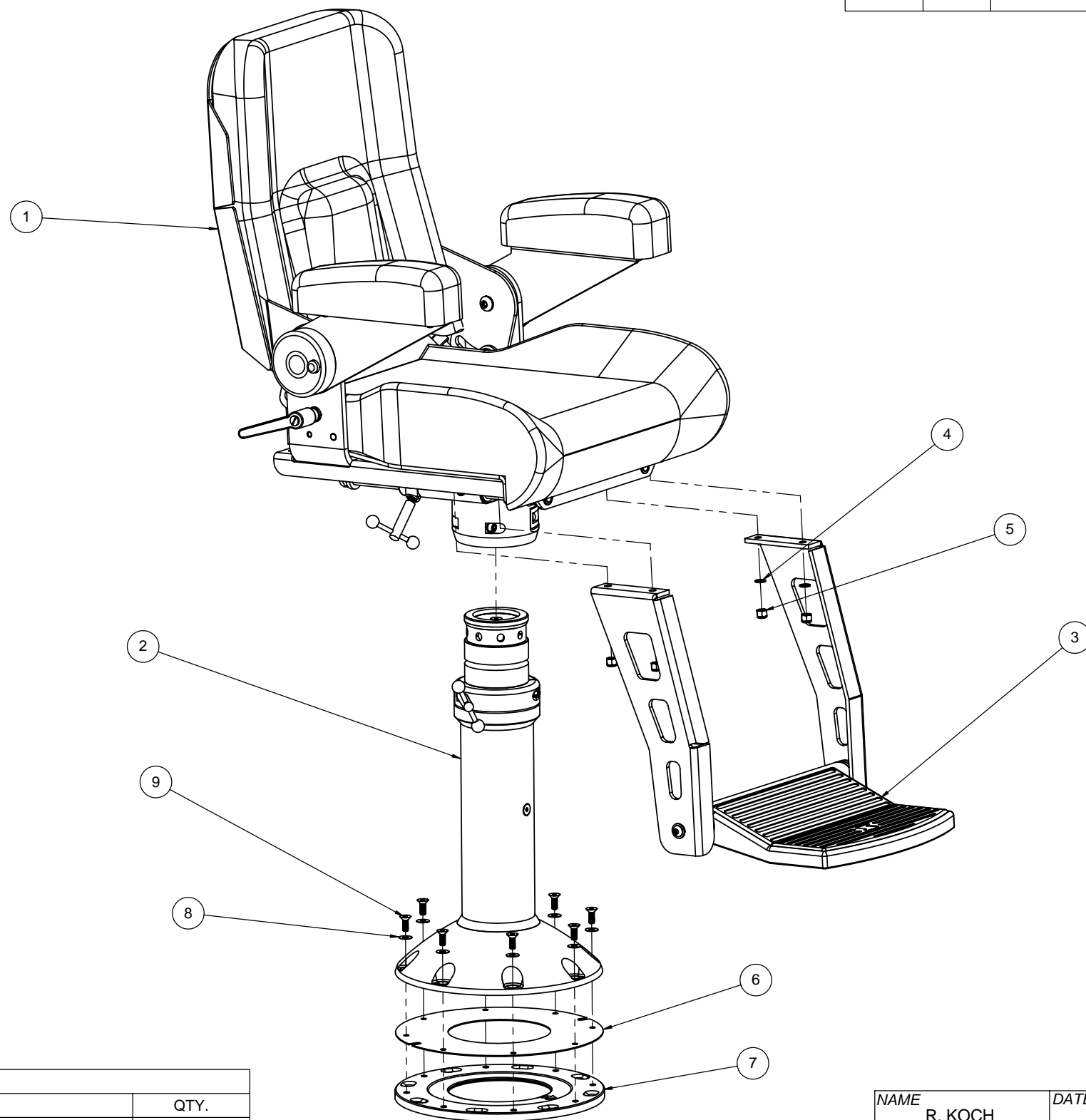
C

B

A

All information contained in this document is property of STIDD Systems, Inc. and shall not be released, performed, displayed, duplicated, used, or disclosed, in whole or in part, for any purpose other than to evaluate a product of STIDD Systems, Inc. No rights are conveyed to the recipient or any other party to use any intellectual property contained in this document in any manner. All recipients shall protect all information in this document as prescribed by DFARS 252.227-7016. The information subject to this restriction is contained in every page of this document.

REVISIONS				
ZONE	REV.	DESCRIPTION	DATE	APPROVED
-	-	See Sheet1	-	-



BOM			
ITEM	PART NUMBER	DESCRIPTION	QTY.
1	500-200-NPNF	500 LOWBACK CHAIR	1
2	510-1100-2	MEDIUM (-2) PEDESTAL ASSEMBLY	1
3	580-1-010	X2 FOOTREST ASSEMBLY - NARROW	1
4	V02/390x625x060	.390" X .625" X .060" WASHER, SS	4
5	V04/37CNNES	3/8-16 NYLOCK NUT, SS	4
6	510-1100-G	12" PEDESTAL ISOLATION GASKET	1
7	510-1-172	12" DECKPLATE ASSEMBLY KIT	1
8	V03/312x751x031	.318 X .751 X .031 FLAT WASHER, NYLON	8
9	V01/031C087SHFH	5/16-18 X .875" SOCKET HEAD FLAT HEAD, SS	8

NAME	R. KOCH	DATE	2/16/2006
UNLESS OTHERWISE SPECIFIED:			
· INTERPRET DWG IAW ANSI Y14.5M · DIMENSIONS ARE IN INCHES · BREAK ALL SHARP EDGES · DRAWING TOLERANCES ARE: * ANGLES : 1° * 0.XX : 0.01 * 0.XXX : 0.005			
MATERIAL	N/A	THIRD ANGLE PROJECTION	
WEIGHT (lbs)	77.53		



STIDD SYSTEMS INC.
220 CARPENTER STREET
GREENPORT, NY 11944
USA · (631) 477-2400

TITLE
500NLOWBACK, MEDIUM PED, X2 FOOTREST

SIZE	CAGE CODE	DWG No.	REV
D	0W5E3	500N-200-X2	-
DO NOT SCALE DRAWING WORK FROM DIMENSIONS		SCALE: 1:4	SHEET 2 OF 2

D

C

B

A