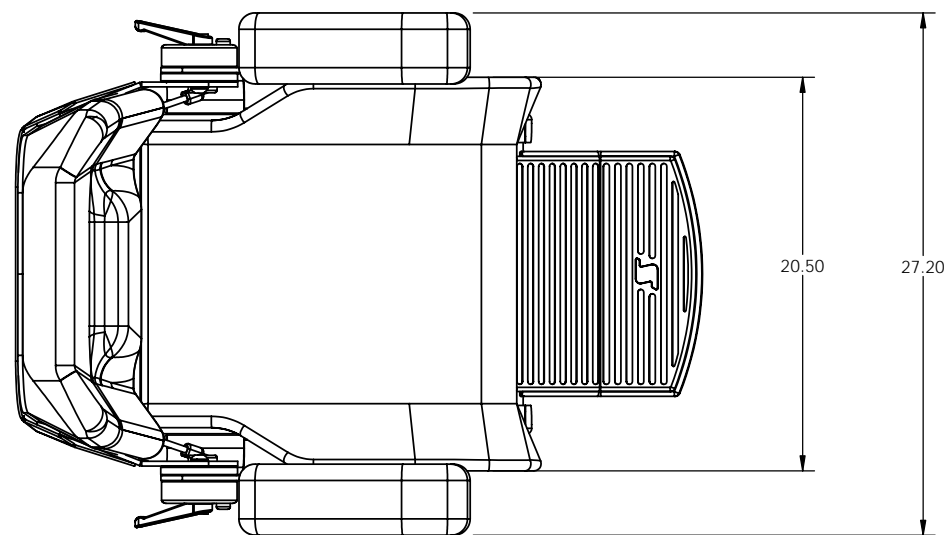


All information contained in this document is property of STIDD Systems, Inc. and shall not be released, performed, displayed, duplicated, used, or disclosed, in whole or in part, for any purpose other than to evaluate a product of STIDD Systems, Inc. No rights are conveyed to the recipient or any other party to use any intellectual property contained in this document in any manner. All recipients shall protect all information in this document as prescribed by DFARS 252.227-7016. The information subject to this restriction is contained in every page of this document.

REVISIONS				
ZONE	REV.	DESCRIPTION	DATE	APPROVED
-	-	INITIAL RELEASE	5/4/2006	A BONCZYK



500-200-1X2 SPECIFICATIONS:

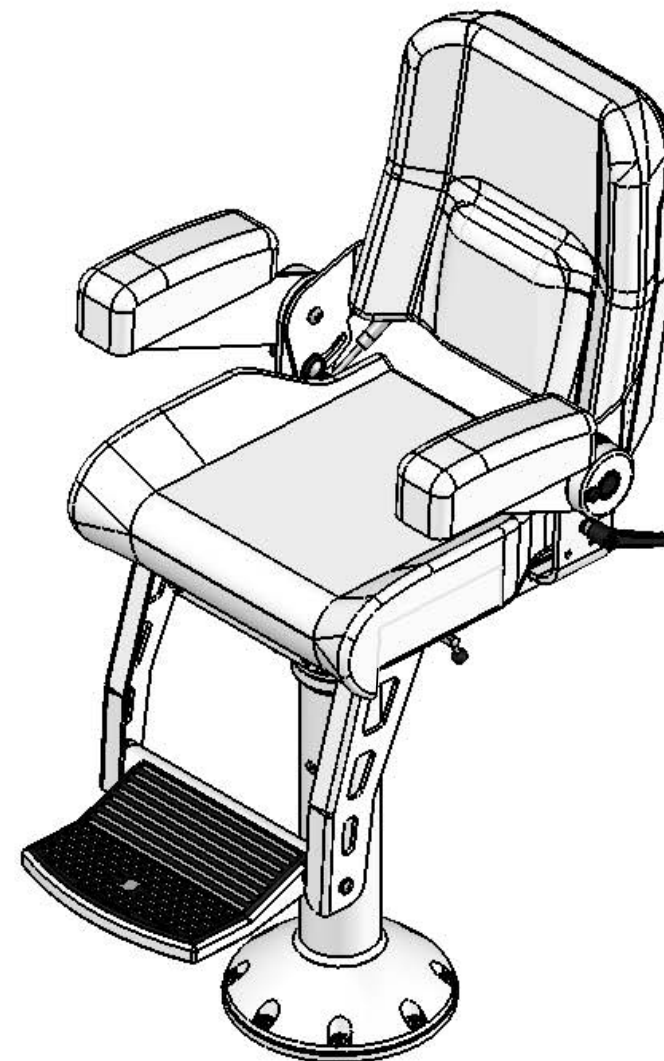
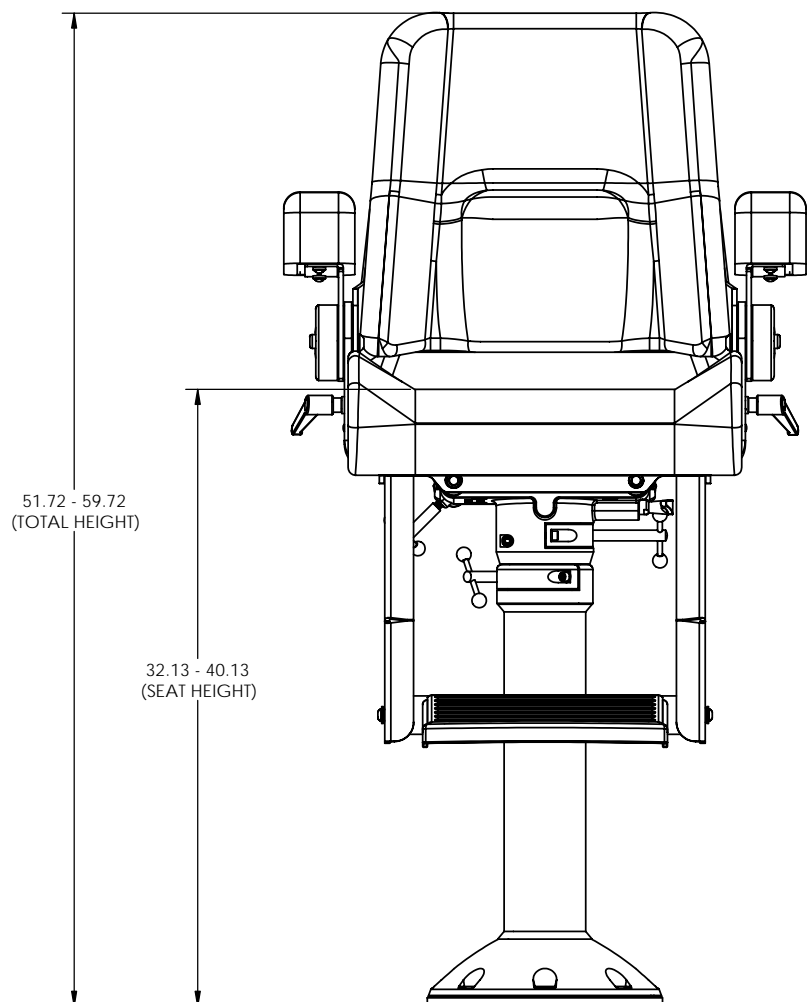
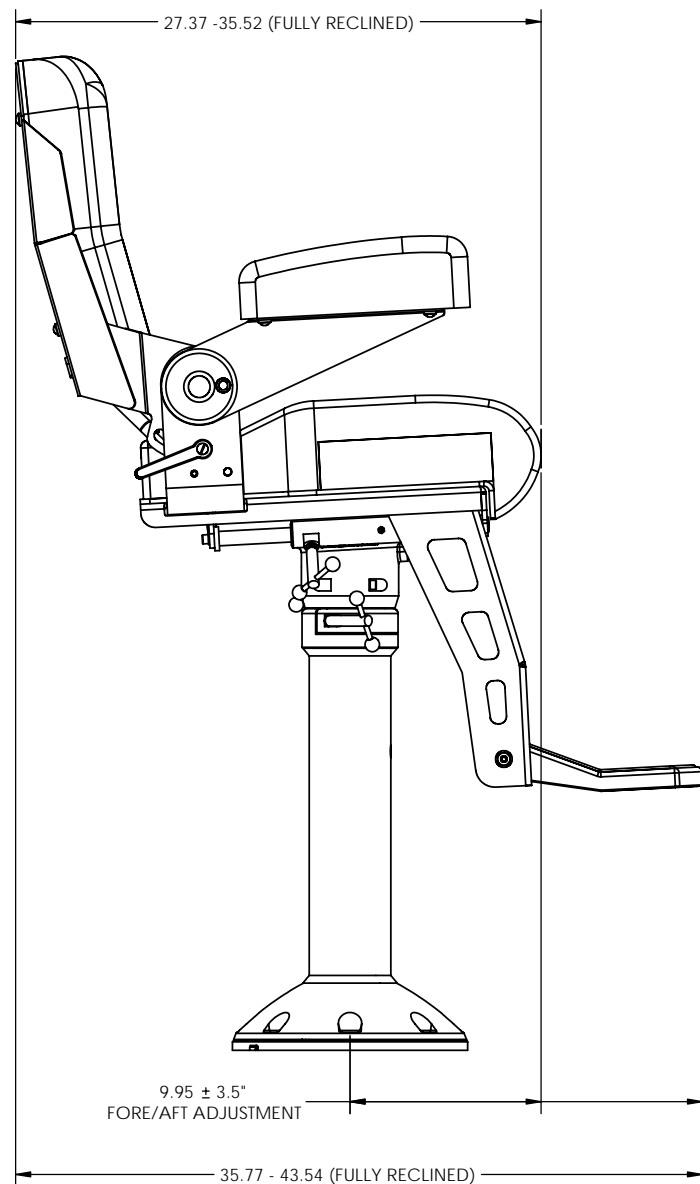
MOUNTING INFORMATION

- DECK PLATE MOUNTING DIMENSIONS:
- DECK PLATE TO VESSEL: EIGHT 3/8" DIA. BOLTS ON 11" DIA BOLT CIRCLE
- DECK PLATE TO PEDESTAL: EIGHT 5/16-18 FLAT, SOCKET HEAD BOLTS ON 11" BOLT CIRCLE

SEAT FEATURES

- TOTAL OF 8" FORE-AFT ADJUSTMENT
- TOTAL OF 8" HEIGHT ADJUSTMENT
- FULLY RECLINEABLE BACKREST UP TO 40 DEGREES
- FOLDING FOOTREST/ARM RESTS (LOCKING FEATURE ON ARM RESTS)
- 360 DEGREE SWIVEL PEDESTAL

NOTE: DRAWING IS SHOWN WITH A TALL (-1) PEDESTAL



NAME	R. KOCH	DATE	5/11/2006
UNLESS OTHERWISE SPECIFIED:			
· INTERPRET DWG IAW ANSI Y14.5M · DIMENSIONS ARE IN INCHES · BREAK ALL SHARP EDGES · DRAWING TOLERANCES ARE: * ANGLES : 1° * 0.XX : 0.01 * 0.XXX : 0.005			
MATERIAL	N/A	THIRD ANGLE PROJECTION	
WEIGHT (lbs)	85.05		



STIDD SYSTEMS INC.
220 CARPENTER STREET
GREENPORT, NY 11944
USA · (631) 477-2400

TITLE			
500 LOWBACK, TALL PEDESTAL, X2 FOOTREST			
SIZE	CAGE CODE	DWG No.	REV
D	0W5E3	500-200-1X2	-
DO NOT SCALE DRAWING WORK FROM DIMENSIONS		SCALE: 1:5	SHEET 1 OF 1

D

C

B

A