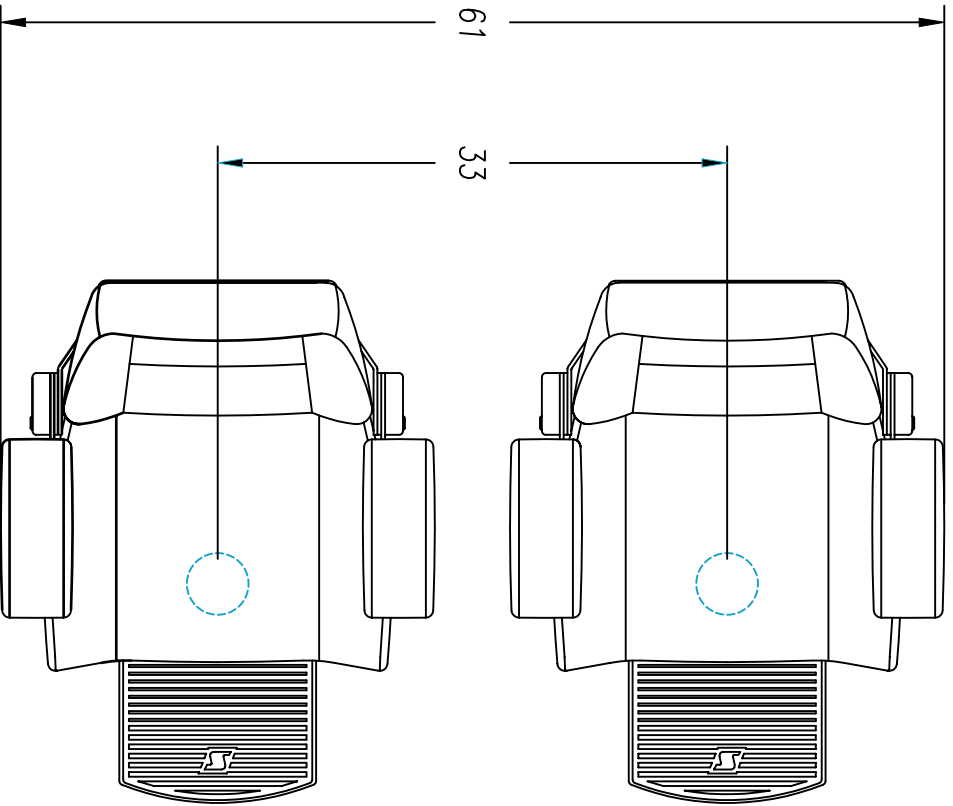
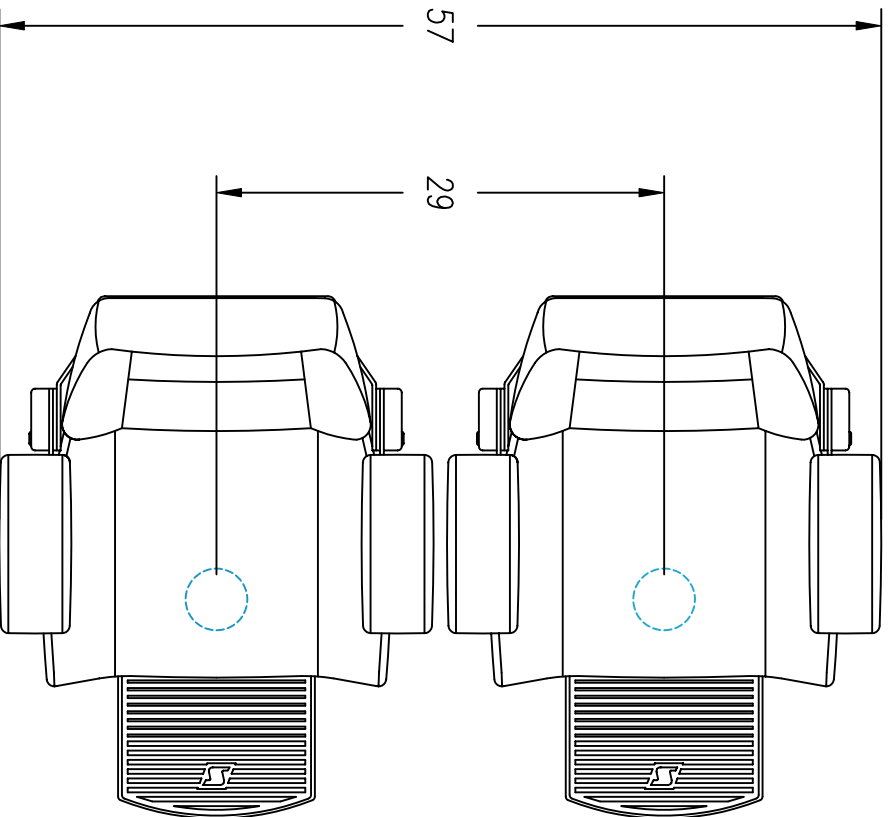


# Nominal Layout for Full Range of Motion



# Minimal Layout for Full Range of Motion



**PROPRIETARY**  
 This document and all information contained, is the property of STDD Systems, Inc. and shall not be copied, reproduced or disclosed without the expressed written permission of STDD Systems, Inc.



500 SERIES  
 LAYOUT

PART NUMBER: N/A  
 DATE: 03-15-2002

REV: N/A  
 DRAWN BY: *Shawn Macarotta*  
 CHECKED BY: *Wayne*

TOLERANCES * EXCEPT AS NOTED *	
DECIMAL:	ANGULAR:
+ .1	+ 1 DEG.
- .01	- 1 DEG.
+ .005	
- .015	